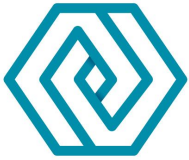


PROFAST
Fasteners & Fixings Solutions

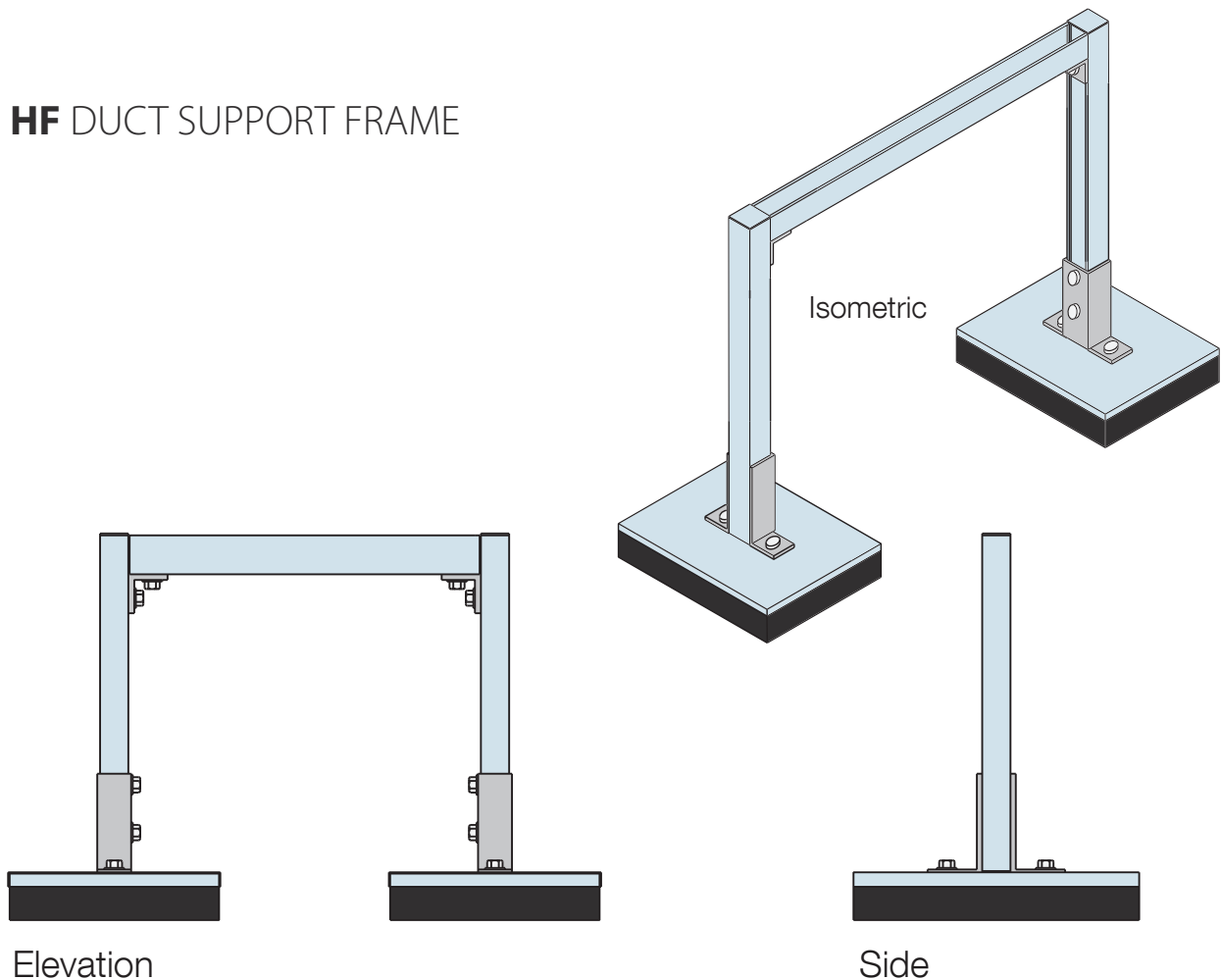
HF Duct Support Frame





PROFAST
Fasteners & Fixings Solutions

HF DUCT SUPPORT FRAME



Technical Data

Project application:	HVAC mounting support frames
Roofing:	Membrane and Bitumen
Material:	Mild steel BS EN 10025 Yield 280 N/mm ² Ultimate tensile strength 370 N/mm ²
Protection:	HDG BS EN ISO 1461
Base material:	Closed cell polyethelene 67 kg/m ³
Fasteners:	BS 6946 BS EN Yield stress 170/mm 21

Components

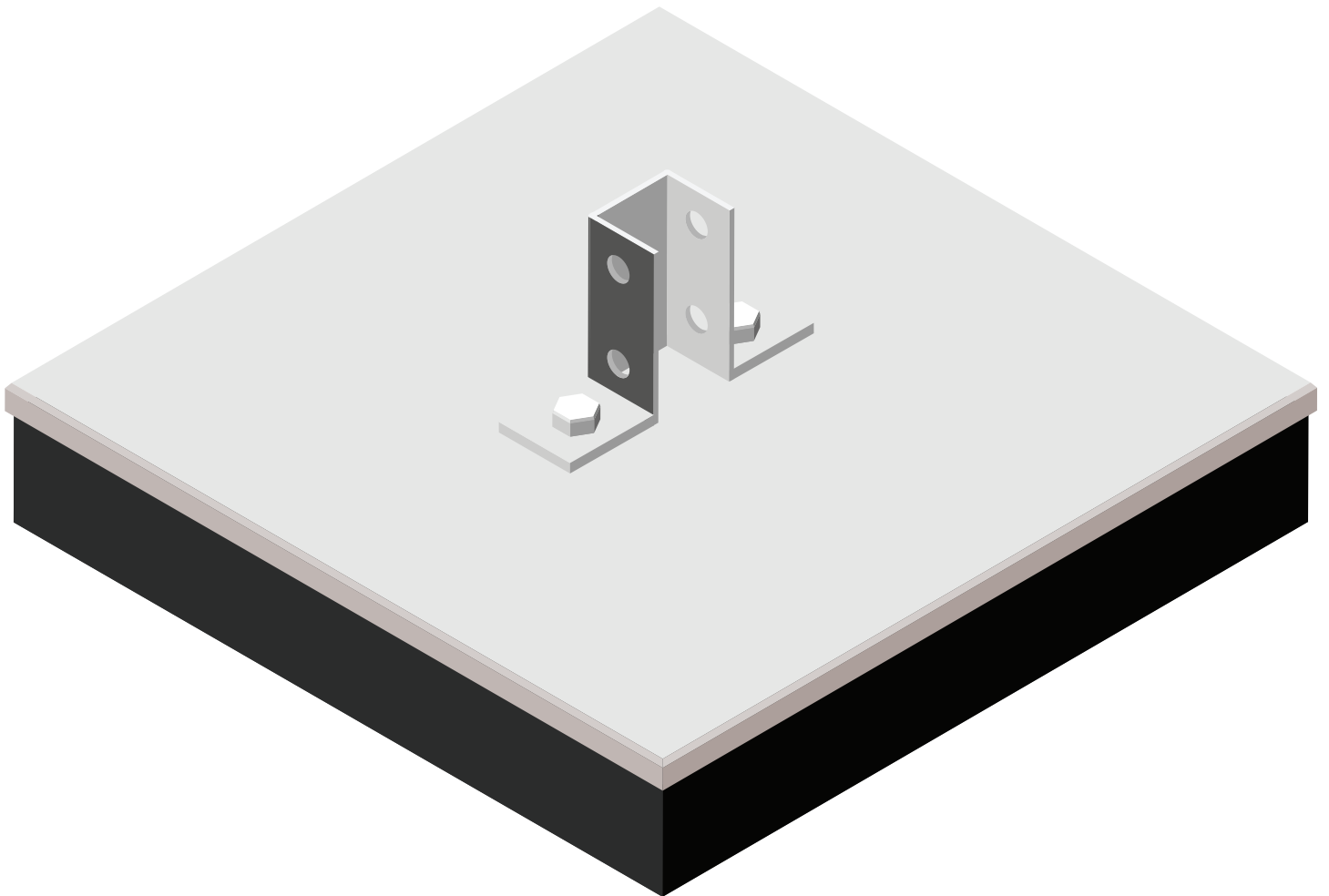
50 RHS steel box main support section BS EN 10025 S275
41 x 41 slotted steel channel cross support section BS EN 10025
RR LD support feet height adjustable



PROFAST

Fasteners & Fixings Solutions

HD Support Foot



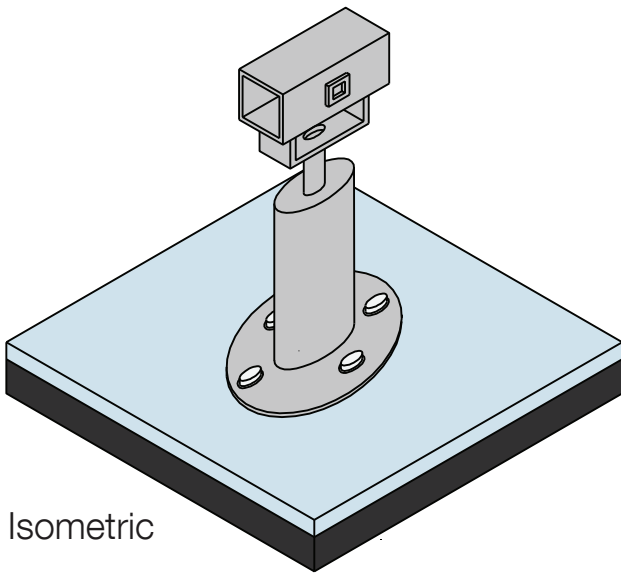


PROFAST

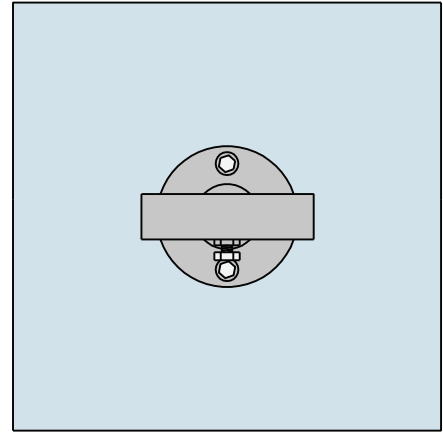
Fasteners & Fixings Solutions

HD SUPPORT FOOT

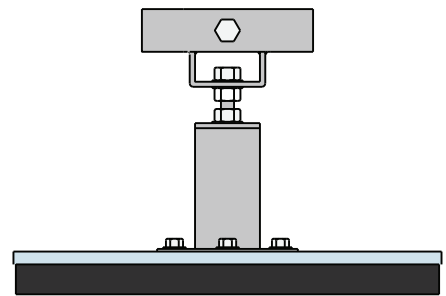
(L)400MM X (W)400MM X (H)50MM



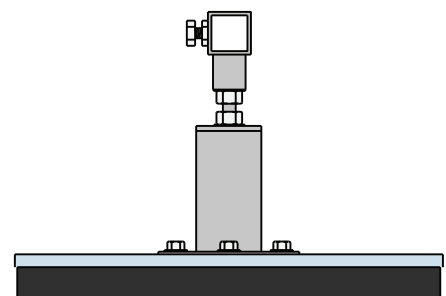
Isometric



Plan



Elevation

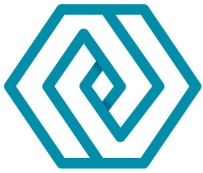


Side

Technical Data

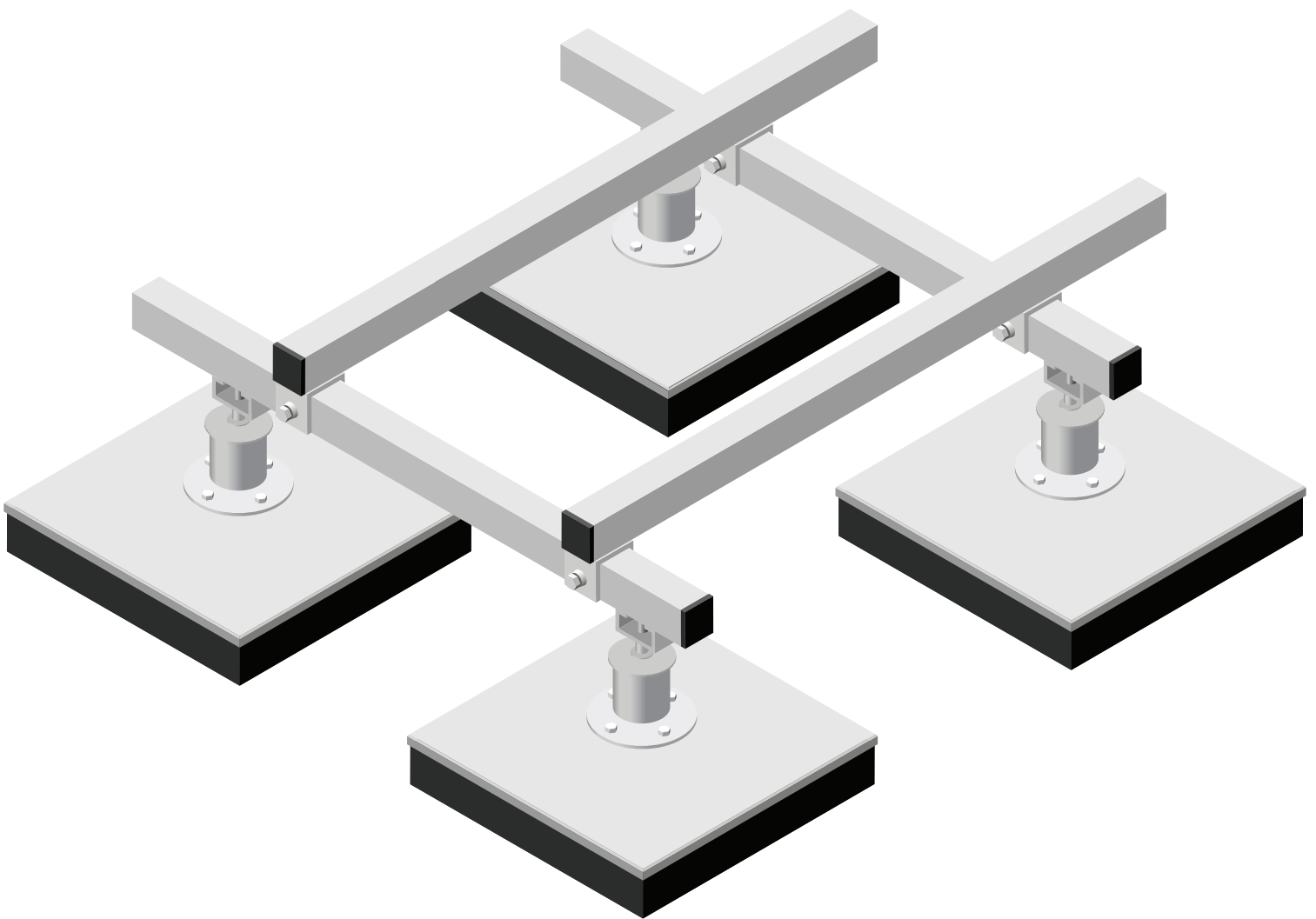
Safety loads individually

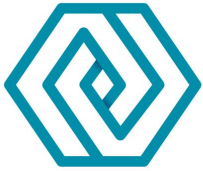
Project application:	Plant rooms and larger AHUs
Roofing:	Membrane and Bitumen
Material:	Mild steel BS EN 10025 Yield 280 N/mm ² Ultimate tensile strength 370 N/mm ²
Protection:	HDG BS EN ISO 1461
Base material:	Closed cell polyethelene 67 kg/m ³
Fasteners:	BS 6946 BS EN Yield stress 170/mm 21



PROFAST
Fasteners & Fixings Solutions

HD Support Frame

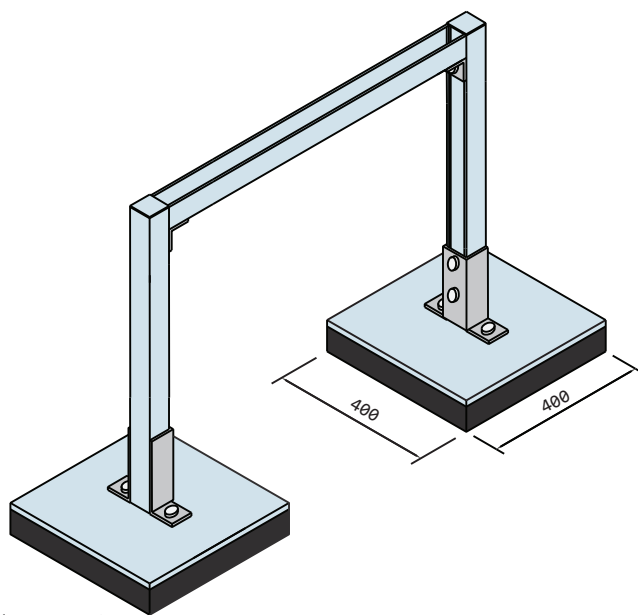




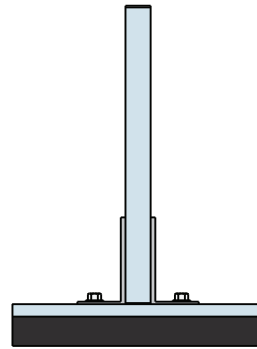
PROFAST

Fasteners & Fixings Solutions

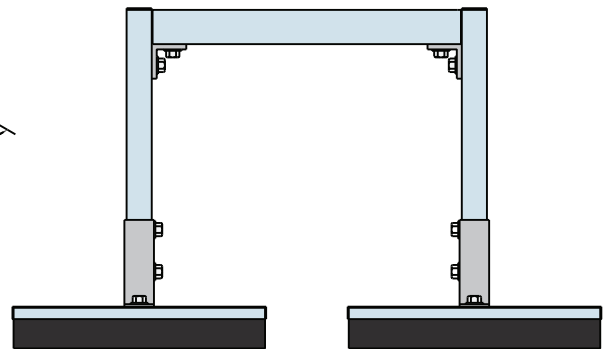
HD SUPPORT FRAME



Isometric



Side



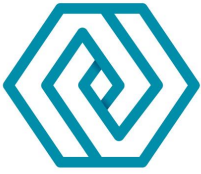
Elevation

Technical Data

Project application:	HVAC mounting support frames
Roofing:	Membrane and Bitumen
Material:	Mild steel BS EN 10025 Yield 280 N/mm ² Ultimate tensile strength 370 N/mm ²
Protection:	HDG BS EN ISO 1461
Base material:	Closed cell polyethelene 67 kg/m ³
Fasteners:	BS 6946 BS EN Yield stress 170/mm 21

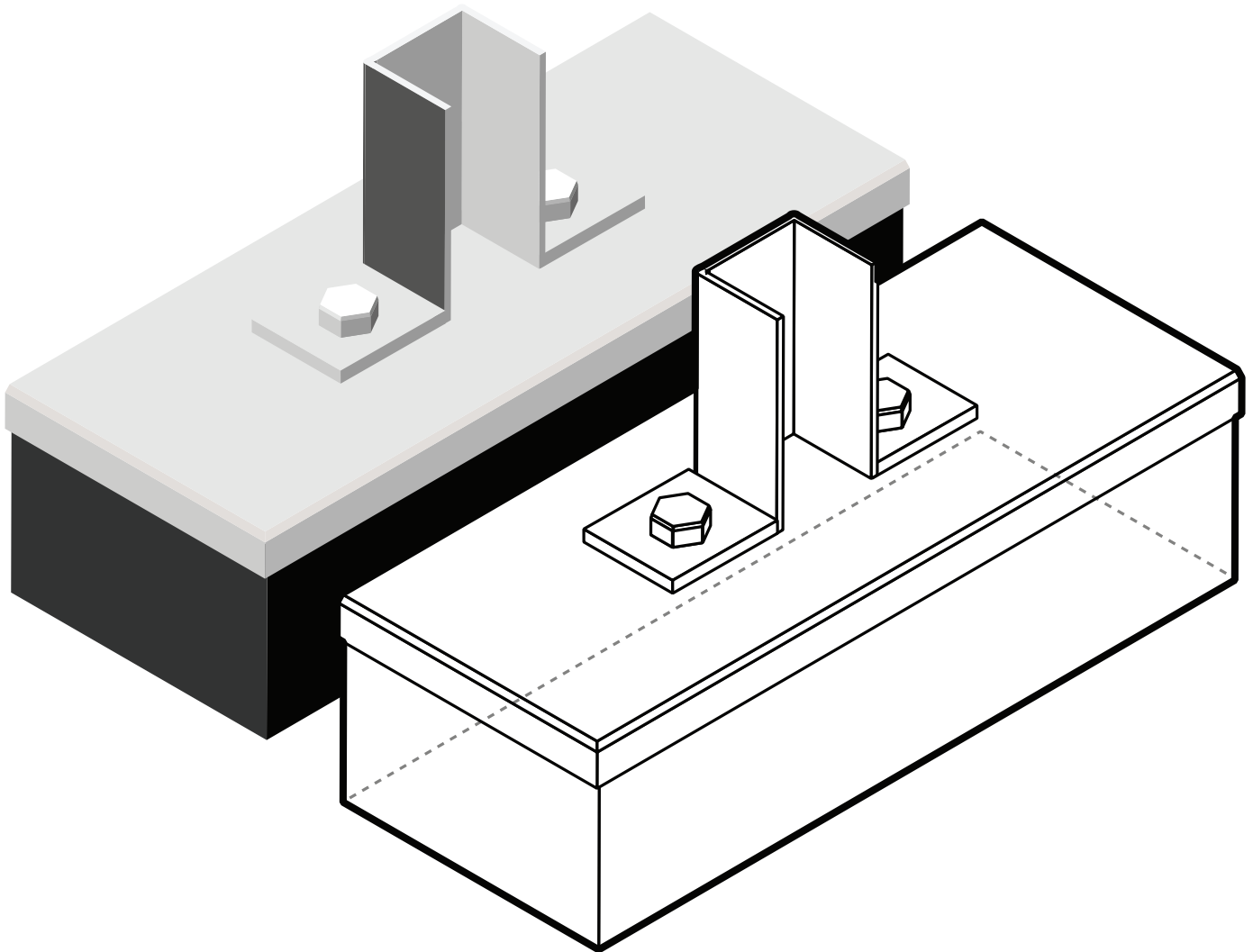
Components

50 RHS steel box section cross support section BS EN 10025 S275
41 x 41 slotted steel channel cross support section BS EN 10025
RR HD support feet height adjustable



PROFAST
Fasteners & Fixings Solutions

LD Support Foot



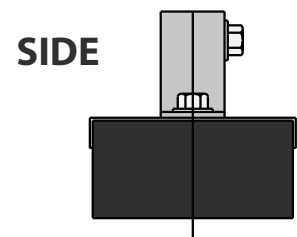
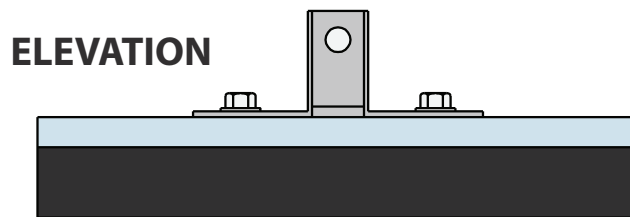
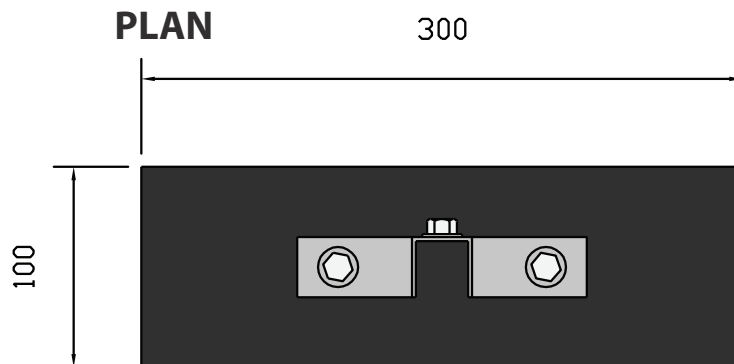


PROFAST

Fasteners & Fixings Solutions

LD SUPPORT FOOT

(L)300MM X (W)100MM X (H)50MM



Technical Data

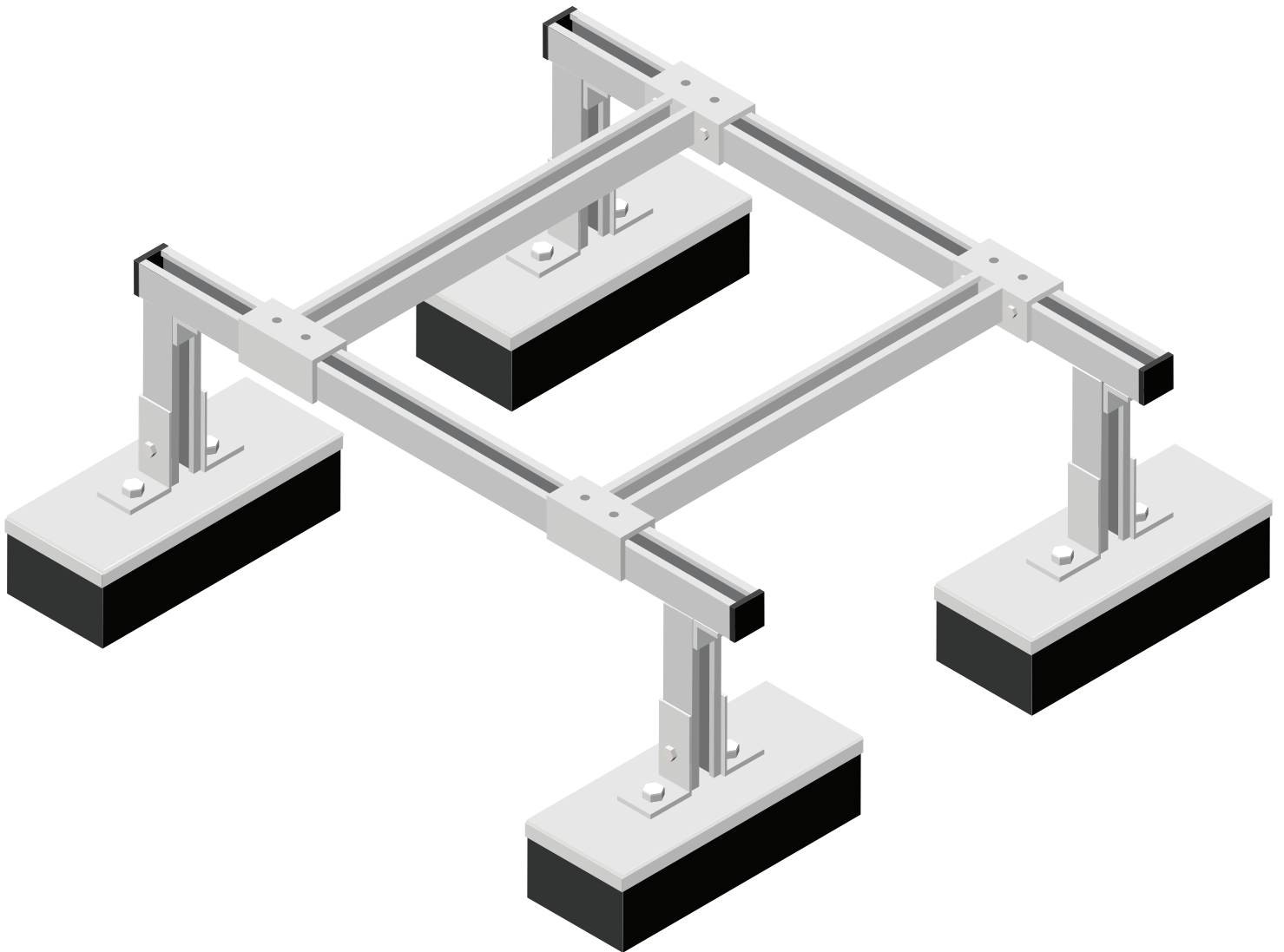
Safety loads individually

Project application:	Cable tray, smaller pipe systems, ducting
Roofing:	Membrane and Bitumen
Material:	Mild steel BS EN 10025 Yield 280 N/mm ² Ultimate tensile strength 370 N/mm ²
Protection:	HDG BS EN ISO 1461
Base material:	Closed cell polyethelene 67 kg/m ³
Fasteners:	BS 6946 BS EN Yield stress 170/mm 21



PROFAST
Fasteners & Fixings Solutions

LD Support Frame

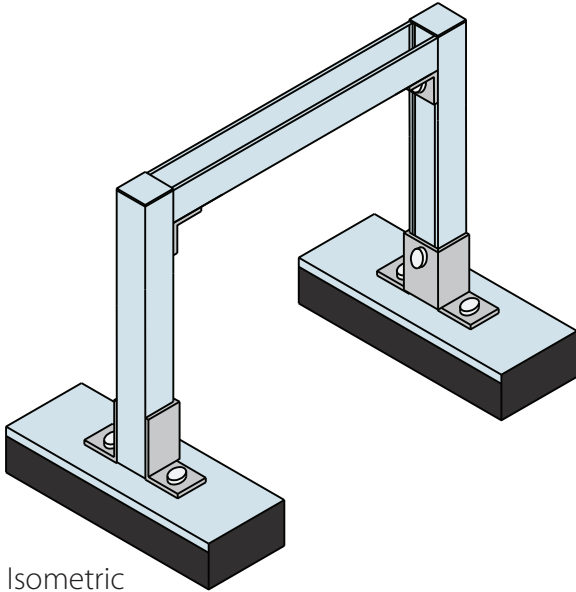




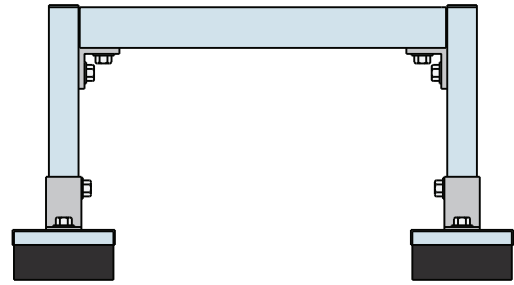
PROFAST

Fasteners & Fixings Solutions

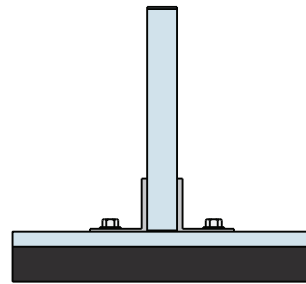
LD SUPPORT FRAME



Isometric



Elevation



Side

Technical Data

Project application:	HVAC mounting support frames
Roofing:	Membrane and Bitumen
Material:	Mild steel BS EN 10025 Yield 280 N/mm ² Ultimate tensile strength 370 N/mm ²
Protection:	HDG BS EN ISO 1461
Base material:	Closed cell polyethelene 67 kg/m ³
Fasteners:	BS 6946 BS EN Yield stress 170/mm 21

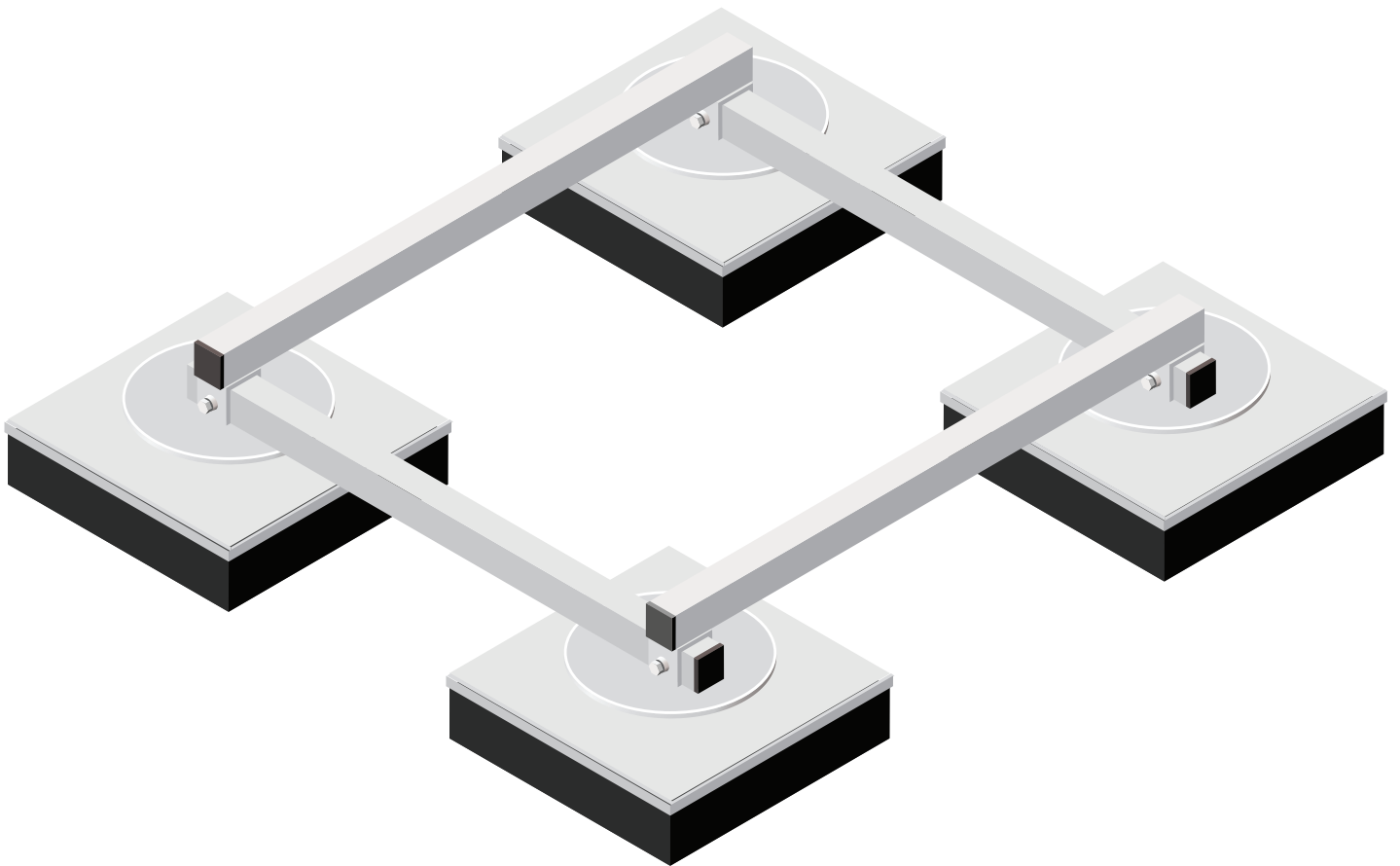
Components

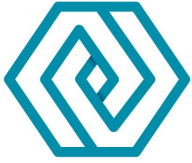
50 RHS steel box main support section BS EN 10025 S275
41 x 41 slotted steel channel cross support section BS EN 10025
RR LD support feet height adjustable



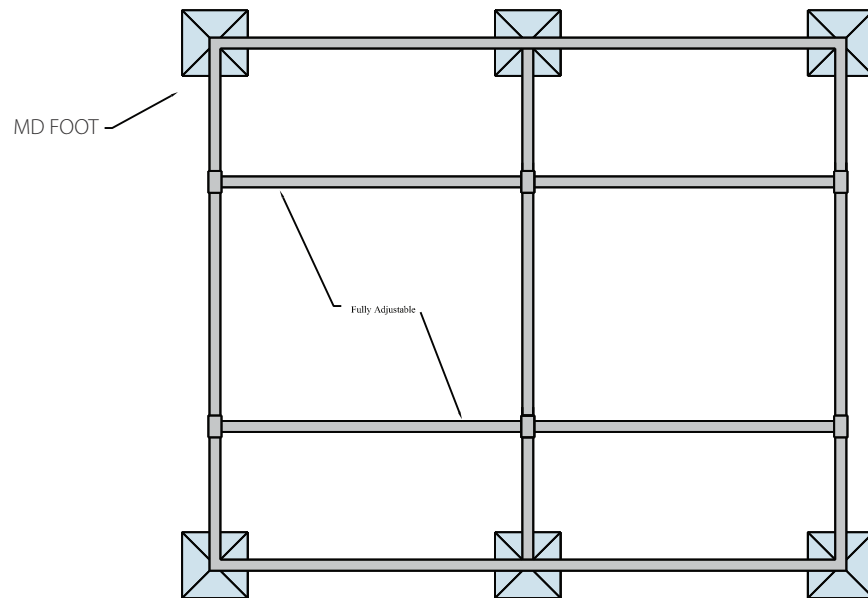
PROFAST
Fasteners & Fixings Solutions

Low Level Support Frame





Low Level SUPPORT FRAME

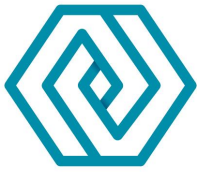


Technical Data

Project application:	HVAC mounting support frames
Roofing:	Membrane and Bitumen
Material:	Mild steel BS EN 10025 Yield 280 N/mm ² Ultimate tensile strength 370 N/mm ²
Protection:	HDG BS EN ISO 1461
Base material:	Closed cell polyethelene 67 kg/m ³
Fasteners:	BS 6946 BS EN Yield stress 170/mm 21

Components

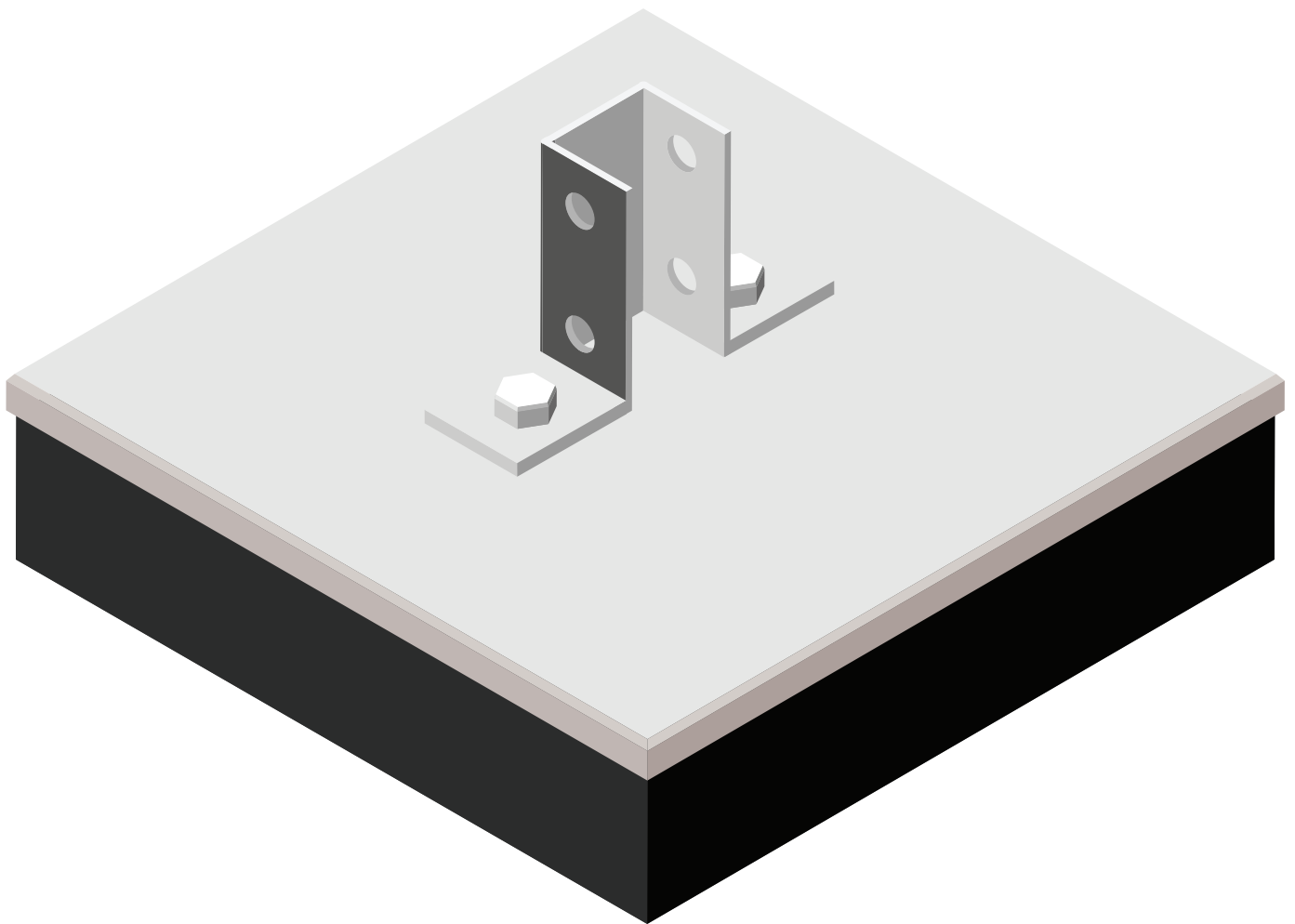
50 RHS steel box section cross support section BS EN 10025 S275
41 x 41 slotted steel channel cross support section BS EN 10025
RR MD support feet height adjustable



PROFAST

Fasteners & Fixings Solutions

MD Support Foot



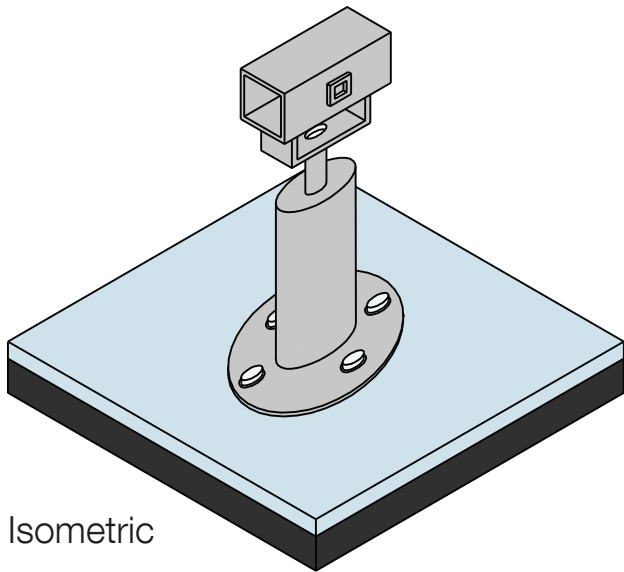


PROFAST

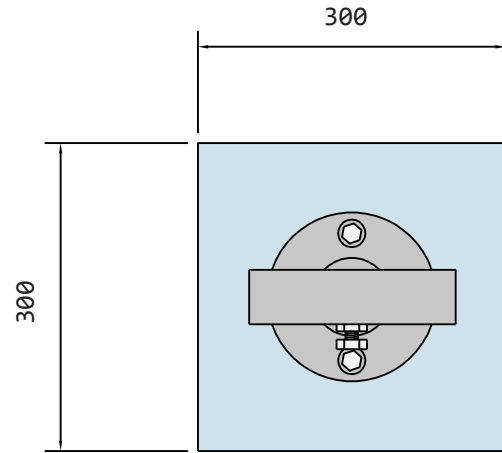
Fasteners & Fixings Solutions

MD SUPPORT FOOT

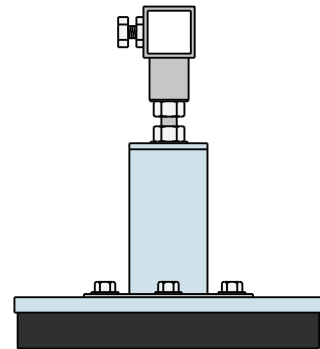
(L)300MM X (W)300MM X (H)50MM



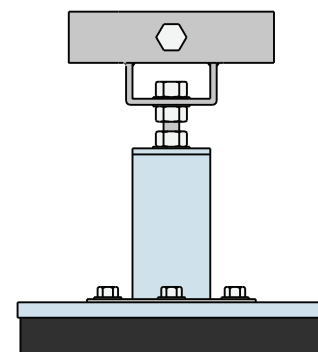
Isometric



Plan



Side



Elevation

Technical Data

Safety loads individually

Project application: Chiller units, AHUs and access walkways

Roofing: Membrane and Bitumen

Material: Mild steel BS EN 10025 Yield 280 N/mm²
Ultimate tensile strength 370 N/mm²

Protection: HDG BS EN ISO 1461

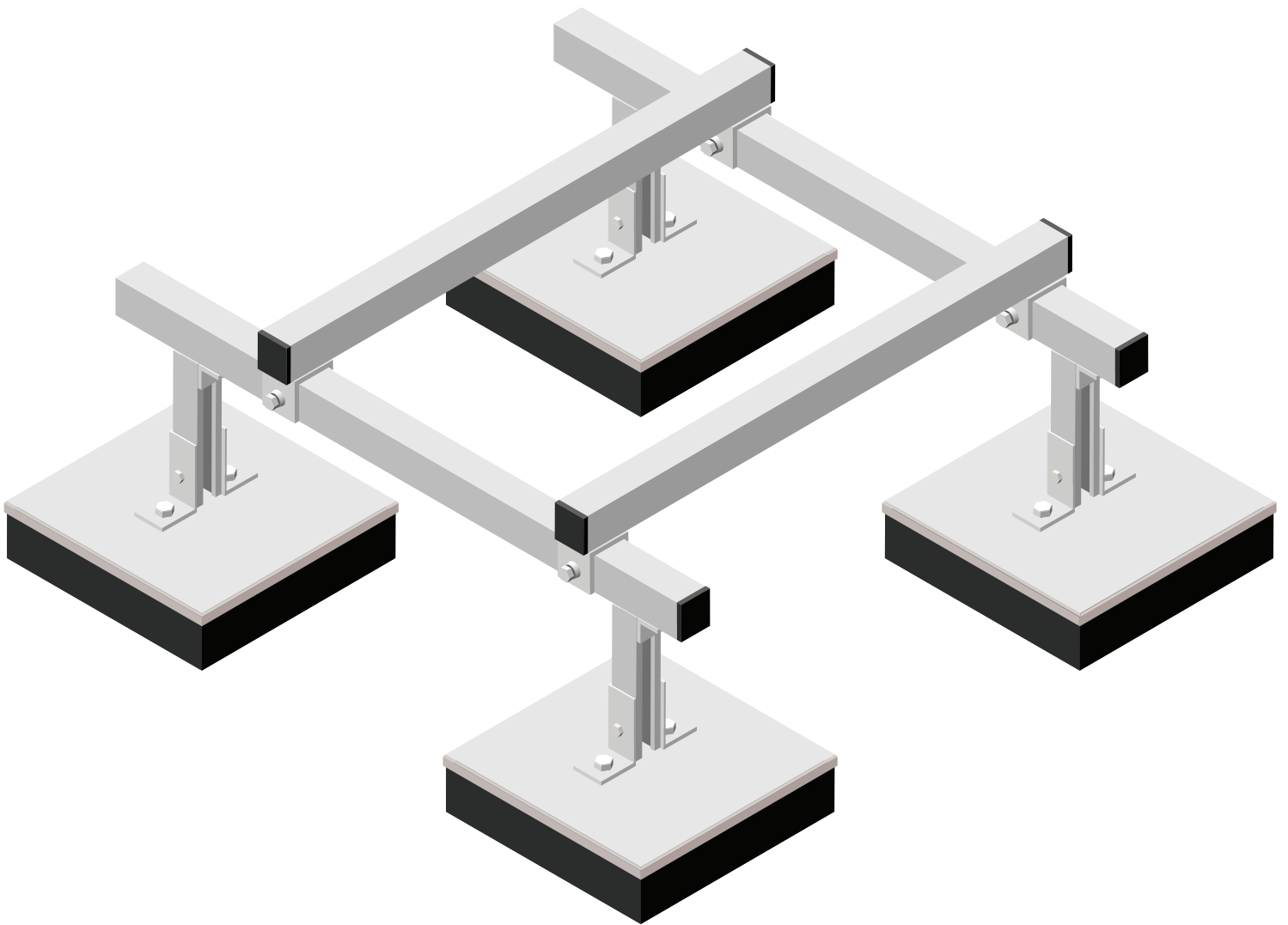
Base material: Closed cell polyethelene 67 kg/m³

Fasteners: BS 6946 BS EN Yield stress 170/mm 21



PROFAST
Fasteners & Fixings Solutions

MD Support Frame

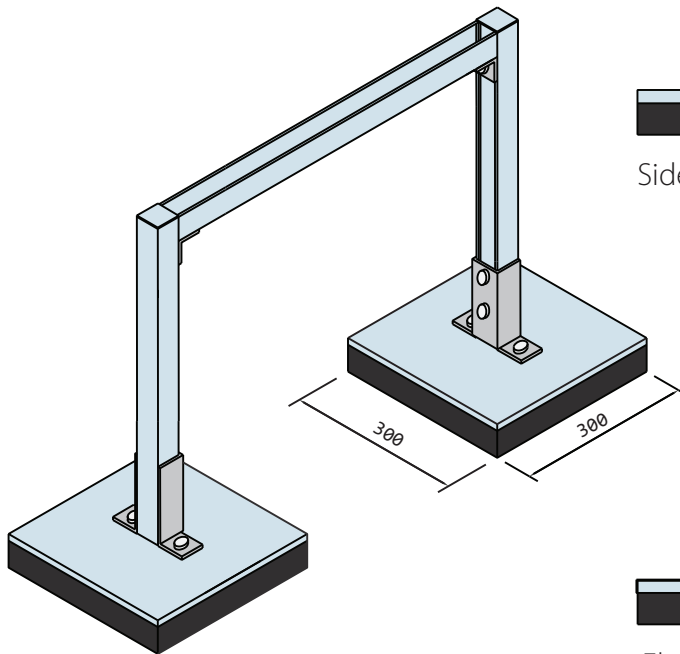




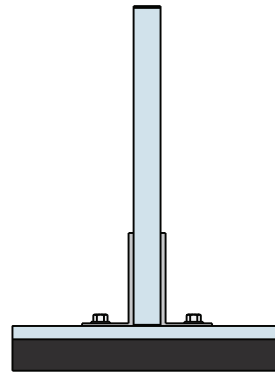
PROFAST

Fasteners & Fixings Solutions

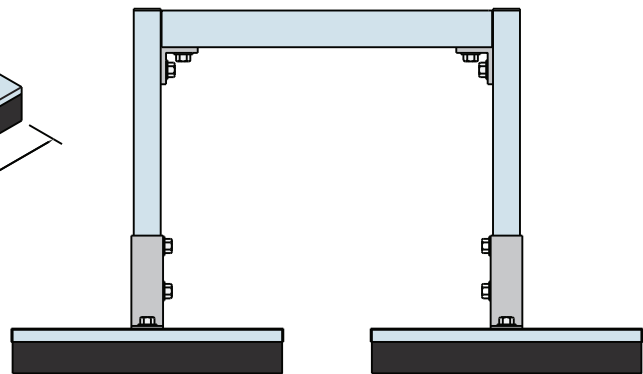
MD SUPPORT FRAME



Isometric



Side



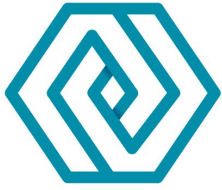
Elevation

Technical Data

Project application:	HVAC mounting support frames
Roofing:	Membrane and Bitumen
Material:	Mild steel BS EN 10025 Yield 280 N/mm ² Ultimate tensile strength 370 N/mm ²
Protection:	HDG BS EN ISO 1461
Base material:	Closed cell polyethelene 67 kg/m ³
Fasteners:	BS 6946 BS EN Yield stress 170/mm 21

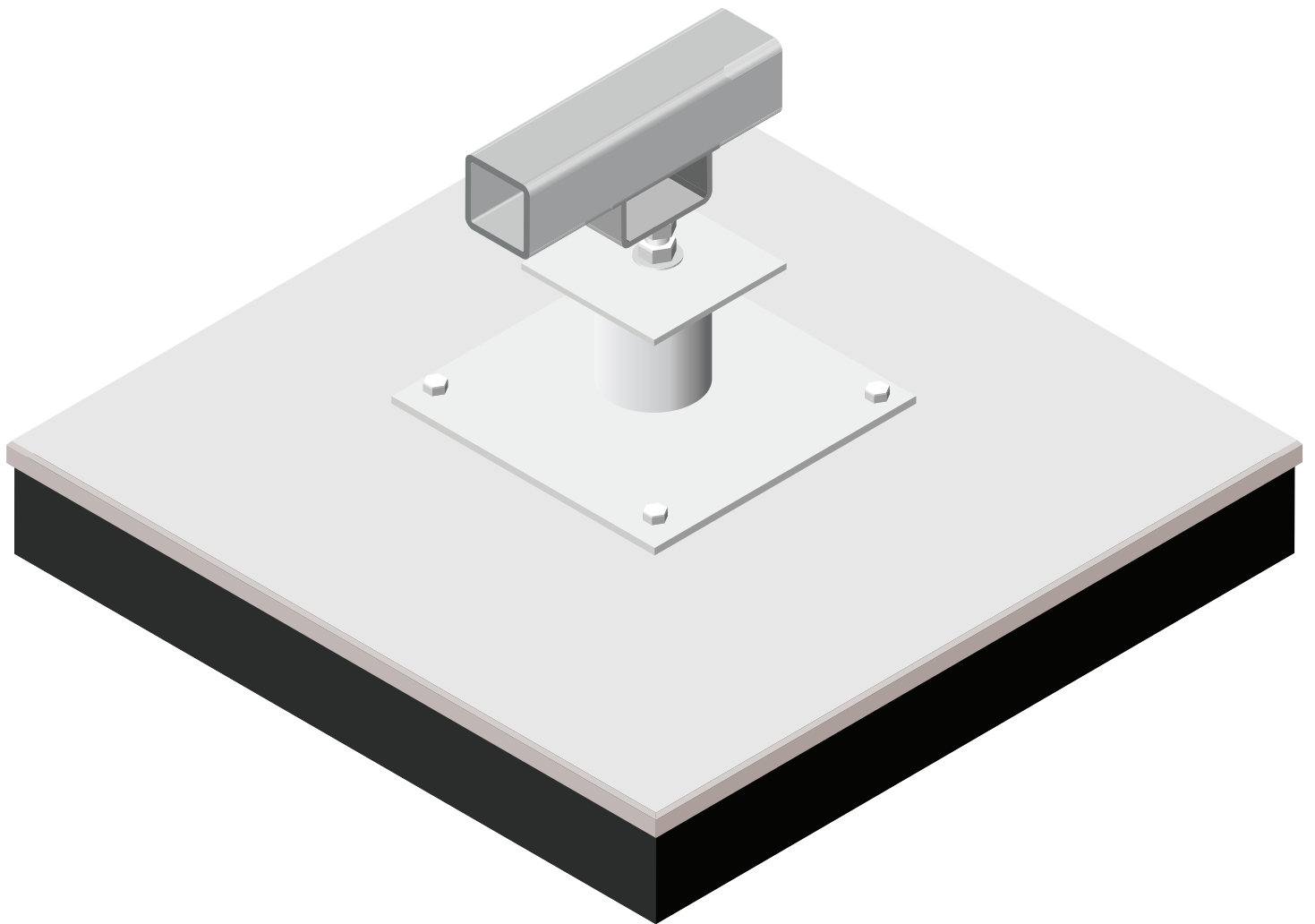
Components

50 RHS steel box section cross support section BS EN 10025 S275
41 x 41 slotted steel channel cross support section BS EN 10025
RR MD support feet height adjustable



PROFAST
Fasteners & Fixings Solutions

MEGA Support Foot



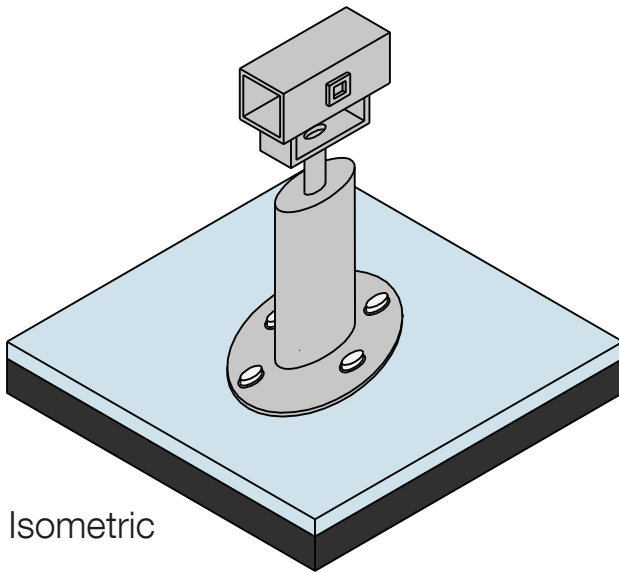


PROFAST

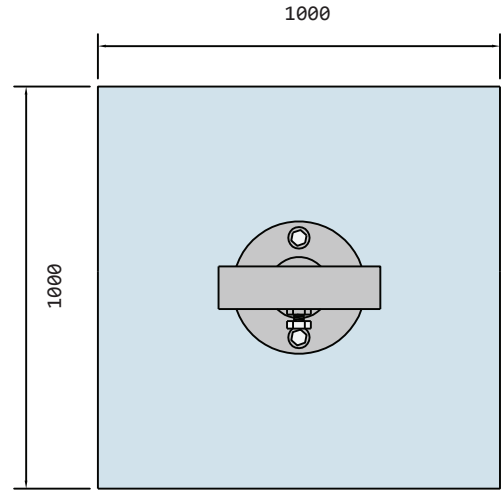
Fasteners & Fixings Solutions

MEGA SUPPORT FOOT

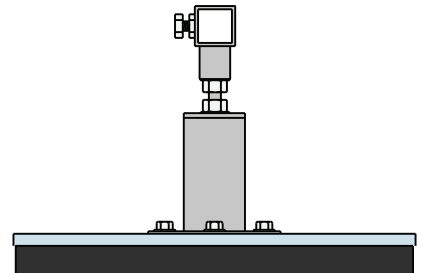
(L)1000MM X (W)1000MM X (H)50/100MM



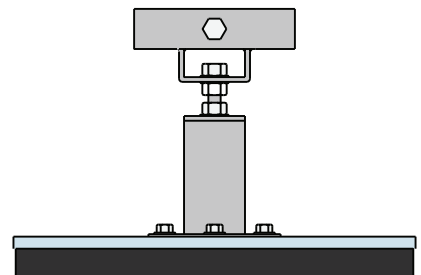
Isometric



Plan



Side



Elevation

Technical Data

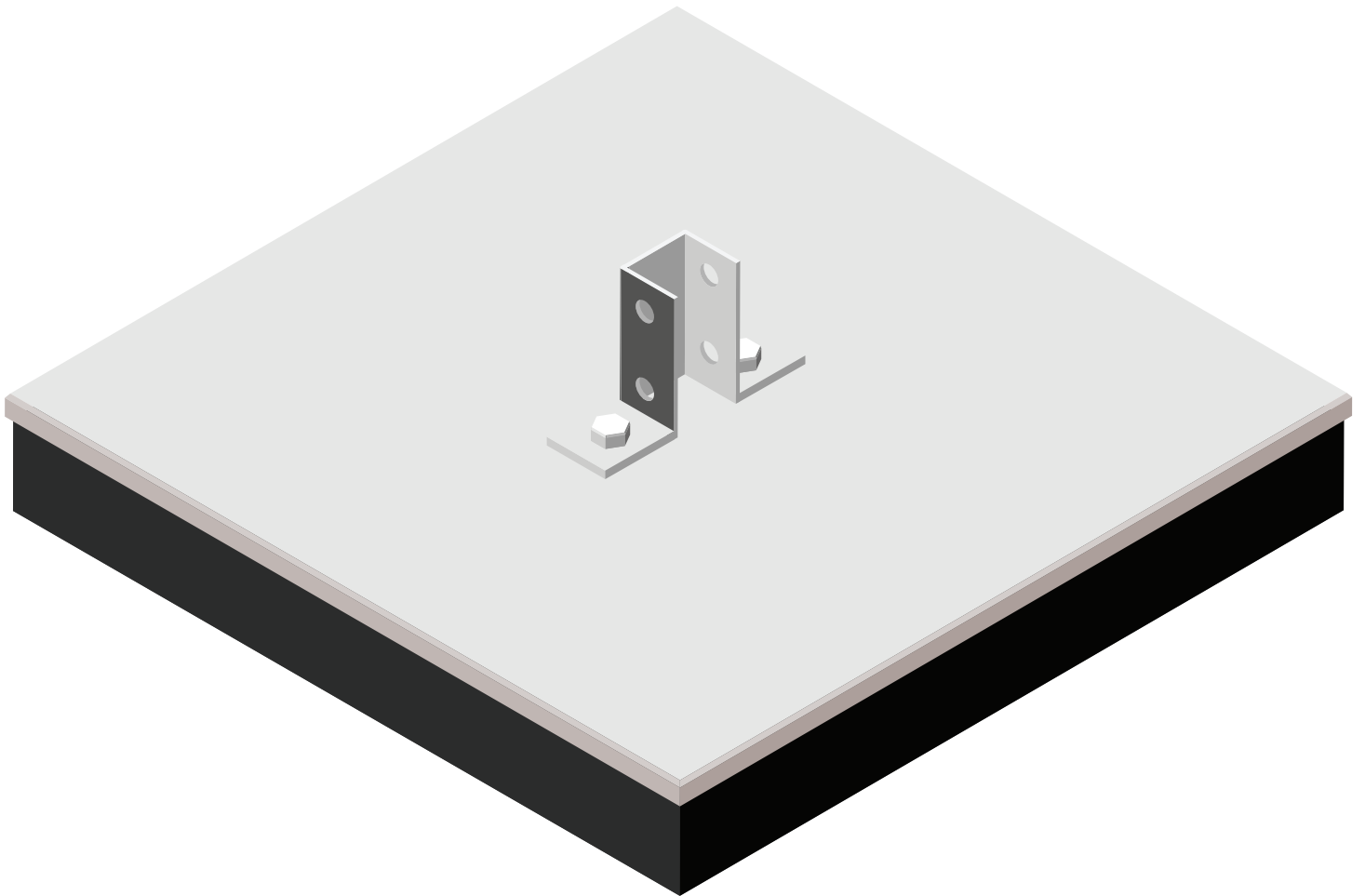
Safety loads individually

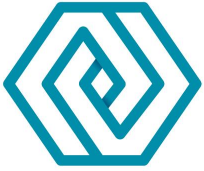
Project application:	Super chillers and extra large Ahu's
Roofing:	Membrane and Bitumen
Material:	Mild steel BS EN 10025 Yield 280 N/mm ² Ultimate tensile strength 370 N/mm ²
Protection:	HDG BS EN ISO 1461
Base material:	Closed cell polyethelene 67 kg/m ³
Fasteners:	BS 6946 BS EN Yield stress 170/mm 21



PROFAST
Fasteners & Fixings Solutions

SD Support Foot



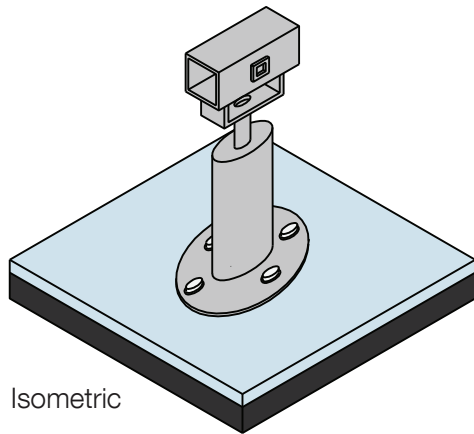


PROFAST

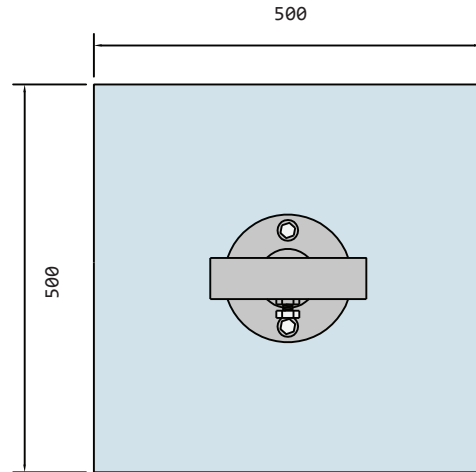
Fasteners & Fixings Solutions

SD SUPPORT FOOT

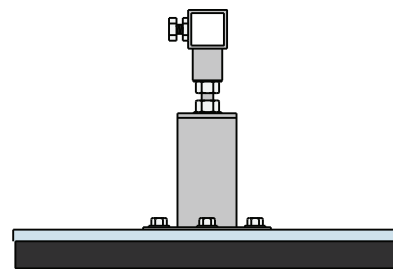
(L)500MM X (W)500MM X (H)50MM



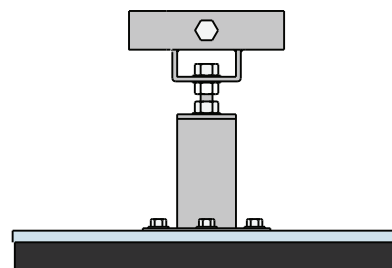
Isometric



Plan



Side



Elevation

Technical Data

Safety loads individually

Project application:	Plant rooms , larger AHUs and chillers
Roofing:	Membrane and Bitumen
Material:	Mild steel BS EN 10025 Yield 280 N/mm ² Ultimate tensile strength 370 N/mm ²
Protection:	HDG BS EN ISO 1461
Base material:	Closed cell polyethelene 67 kg/m ³
Fasteners:	BS 6946 BS EN Yield stress 170/mm 21