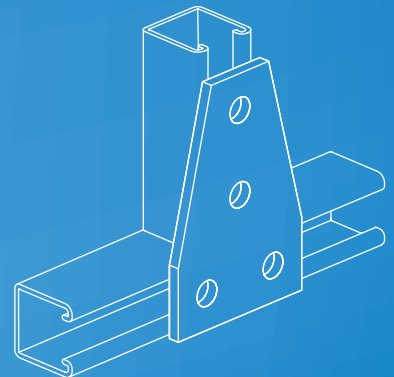
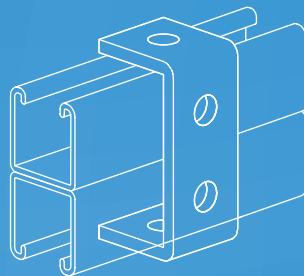
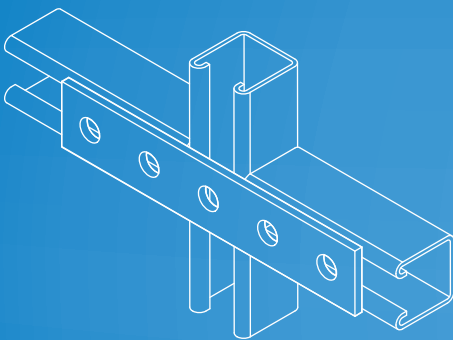


# ProStrut Support Channel & Accessories

**Profast**  
Fastener & Fixing Distributors

Profast Ltd

ProStrut Support  
Channel &  
Accessories



**Profast**

Dublin : +353 (0)1 4566 666    Belfast : +44 (0)28 9024 3215    Burton-on-Trent : +44 (0)1283 529 142



**Section 1: Channels**

**p. 2 - p. 3**

**Section 2: Channel Brackets**

**p. 4 - p. 11**

**Section 3: Beam Clamps, Connectors & Cantilever Brackets**

**p. 12 - p. 15**

**Section 4: Channel Nuts**

**p. 16**

**Section 5: Pipe Clamps**

**p. 17 - p. 21**

**Section 6: Additional Items**

**p. 22 - p. 23**

**Section 7: Notes**

**p. 24 - p. 25**

## About Profast:

Profast Ltd has been in business for 36 years this year, having first commenced operations in Dublin in Jan 1978. The parent company based in Belfast, commenced operations in Northern Ireland in 1956, and when the decision was taken 22 years later to expand the business, Dublin was the obvious choice. The company is now part of Profast Group, which was formed in 1995 to facilitate a management buyout and the Group has now grown to four trading companies through further acquisitions in the UK.

## Product Range

The product range is very much focussed on the construction industry, with a particular emphasis on Fasteners and Fixings however in recent years the company has expanded its activity into other sectors of the market. We now supply companies involved in manufacturing, wind & solar energy, petrochemical, pharmaceutical, agricultural, mechanical & electrical services, to mention just a few. Apart from Fasteners and Fixings, we also supply Tools, Sealants, Support Channel & Brackets, Pipe Clamps, Door Track and Accessories for Industrial and farm buildings and Lifting Anchors for precast concrete. We work with and supply many different brands from well-respected manufacturers, including Haz Metal, Gesipa, Dektite, Heco, Paslode, Tremco, Spit, Nelson, CK, Ramset, Buildex, Everbuild, Walraven, Mungo, Lindapter and Timberfix. We are continually reviewing and updating our product range to ensure we have the latest innovations available. As a long established distributor, we are accredited to ISO 9001:2008 and look forward to serving the needs of our customers for many years to come.

Ireland: [www.profast.ie](http://www.profast.ie) NI: [www.profast.co.uk](http://www.profast.co.uk) UK: [www.profastukltd.com](http://www.profastukltd.com)

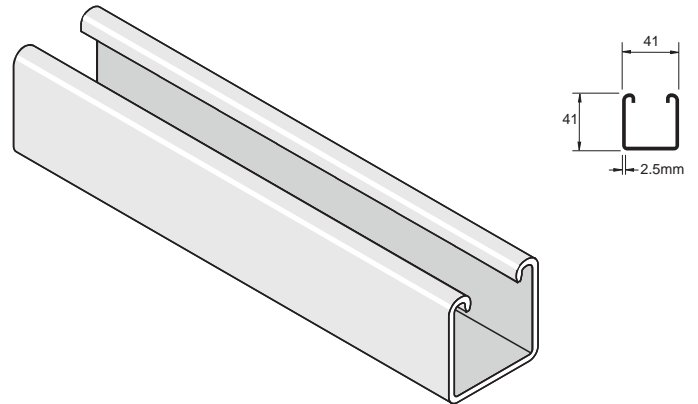
## Section 1: Channels

### 41 x 41mm Plain Channel Pre Galv (PG)

Material : Mild Steel/ Stainless Steel (SS)  
Finish : Electro-Galvanized / Hot Dip Galv (HDG)  
Holes : None

Available in: 3m or 6m lengths, 2.5mm.

Also available in 1.5mm thickness, please enquire.



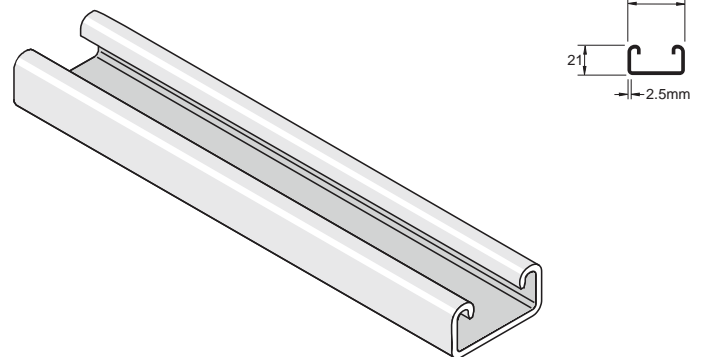
Part No. T3779/3  
Part No. T3779/6

### 41 x 21mm Plain Channel Pre Galv (PG)

Material : Mild Steel/ Stainless Steel (SS)  
Finish : Electro-Galvanized / Hot Dip Galv (HDG)  
Holes : None

Available in: 3m or 6m lengths, 2.5mm.

Also available in 1.5mm thickness, please enquire.

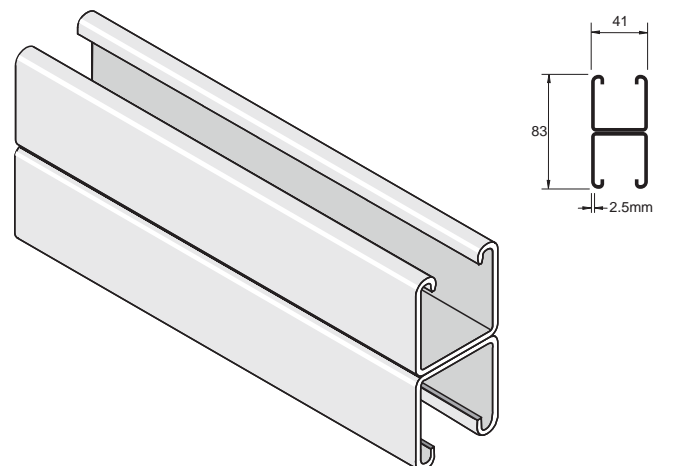


Part No. T3921/3  
Part No. T3921/6

### 41 x 41mm Plain Back to Back Channel Pre Galv

Material : Mild Steel/ Stainless Steel (SS)  
Finish : Electro-Galvanized / Hot Dip Galv (HDG)  
Holes : None

Available in: 3 or 6m lengths, 2.5mm thickness.



Part No. T3779BB/3  
Part No. T3779BB/6

## Section 1: Channels continued

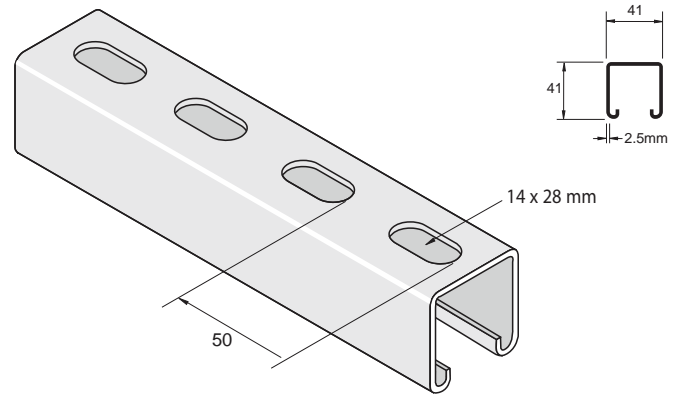
### 41 x 41mm Slotted Channel Pre Galv (PG)

Material : Mild Steel/ Stainless Steel (SS)  
 Finish : Electro-Galvanized (PG) / Hot Dipped Galv (HDG)  
 Holes : 14 x 28mm (Standard)  
 11 x 25mm (Option)

Available in: 3 or 6m lengths, 2.5mm thickness.

Also available in 1.5mm thickness, please enquire.  
 N.B.

For 11 x 25mm slotted - Product Code: T4253S/3 or /6



Part No. T3779S/3  
 Part No. T3779S/6

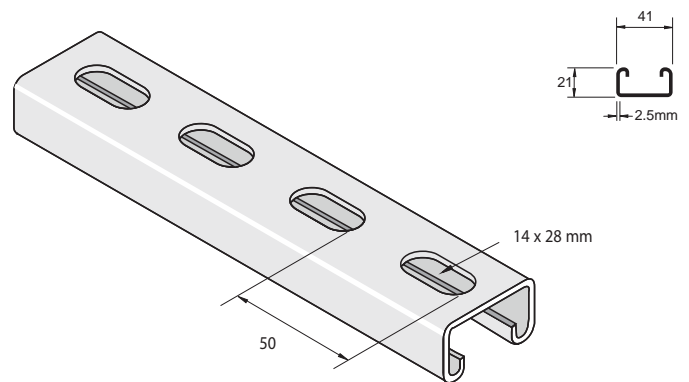
### 41 x 21mm Slotted Channel Pre Galv (PG)

Material : Mild Steel/ Stainless Steel (SS)  
 Finish : Electro-Galvanized (PG) / Hot Dipped Galv (HDG)  
 Holes : 14 x 28mm (Standard)  
 11 x 25mm (Option)

Available in: 3 or 6m lengths, 2.5mm thickness.

Also available in 1.5mm thickness, please enquire.  
 N.B.

For 11 x 25mm slotted - Product Code: T4252S/3 or /6



Part No. T3921S/3  
 Part No. T3921S/6

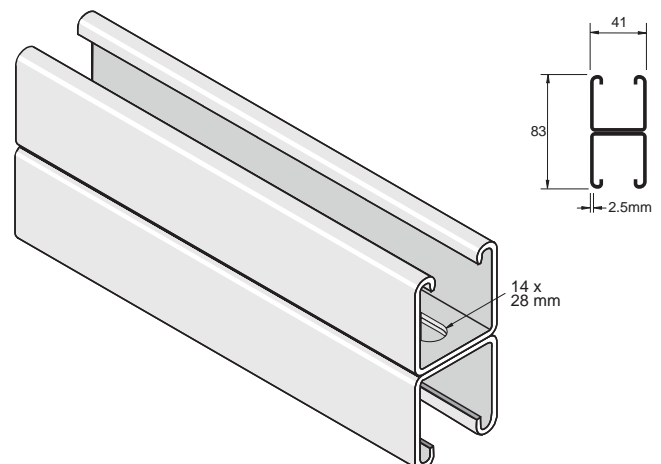
### 41 x 41mm Slotted Back 2 Back Channel Pre Galv

Material : Mild Steel/ Stainless Steel (SS)  
 Finish : Electro-Galvanized (PG) / Hot Dipped Galv (HDG)  
 Holes : 14 x 28mm (Standard)  
 11 x 25mm (Option)

Available in: 3 or 6m lengths, 2.5mm thickness.

N.B.

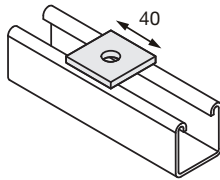
For 11 x 25mm slotted - Product Code: T4253BBS/3 or /6



Part No. T3779BBS/3  
 Part No. T3779BBS/6

## Section 2: Channel Brackets

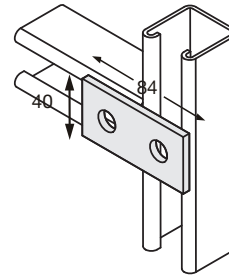
### Square Washers 6mm, 8mm, 10mm, 12mm



Part No. PRO01/06/08/10/12

Material : Mild Steel/ Stainless Steel (SS)  
Finish : Hot Dipped Galv (HG)  
Holes : 8 - 14mm

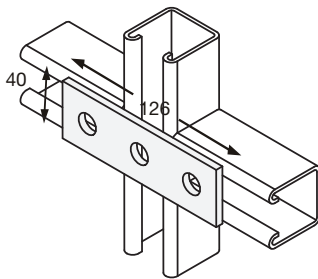
### 2 Hole Flat Plate



Part No. PRO02

Material : Mild Steel/ Stainless Steel (SS)  
Finish : Hot Dipped Galv (HG)  
Holes : 14mm

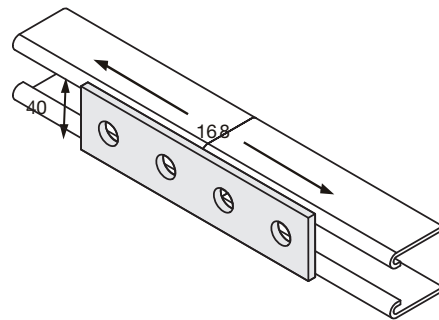
### 3 Hole Flat Plate



Part No. PRO03

Material : Mild Steel/ Stainless Steel (SS)  
Finish : Hot Dipped Galv (HG)  
Holes : 14mm

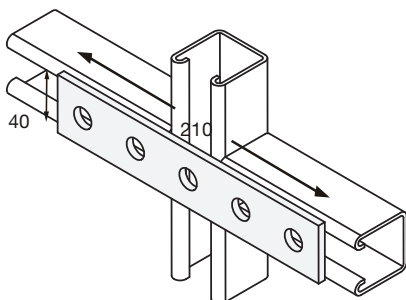
### 4 Hole Flat Plate



Part No. PRO04

Material : Mild Steel/ Stainless Steel (SS)  
Finish : Hot Dipped Galv (HG)  
Holes : 14mm

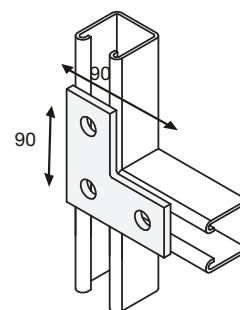
### 5 Hole Flat Plate



Part No. PRO05

Material : Mild Steel/ Stainless Steel (SS)  
Finish : Hot Dipped Galv (HG)  
Holes : 14mm

### 3 Hole Flat 'L' Bracket

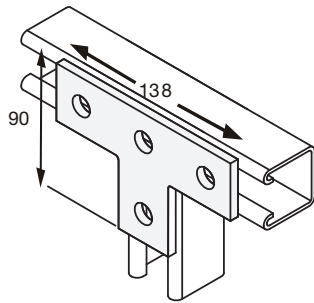


Part No. PRO06

Material : Mild Steel/ Stainless Steel (SS)  
Finish : Hot Dipped Galv (HG)  
Holes : 14mm

Section 2: Channel Brackets continued

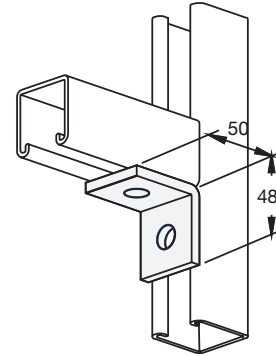
**4 Hole Flat 'T' Bracket**



Part No. PRO07

Material : Mild Steel/ Stainless Steel (SS)  
Finish : Hot Dipped Galv (HG)  
Holes : 14mm

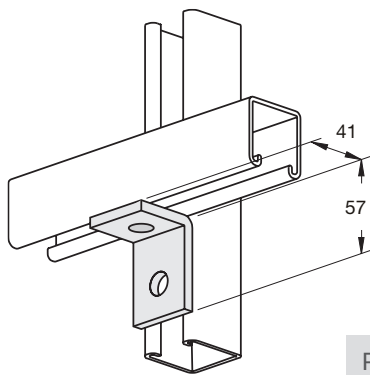
**1 x 1 Hole 90° Bracket**



Part No. PRO08

Material : Mild Steel/ Stainless Steel (SS)  
Finish : Hot Dipped Galv (HG)  
Holes : 14mm

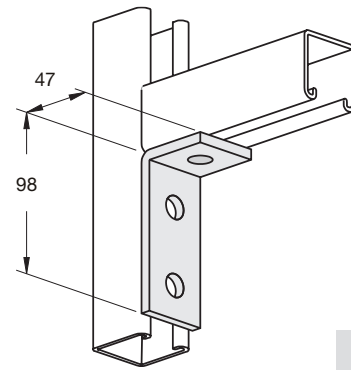
**1 x 1 Hole 90° Bracket**



Part No. PRO09

Material : Mild Steel/ Stainless Steel (SS)  
Finish : Hot Dipped Galv (HG)  
Holes : 14mm

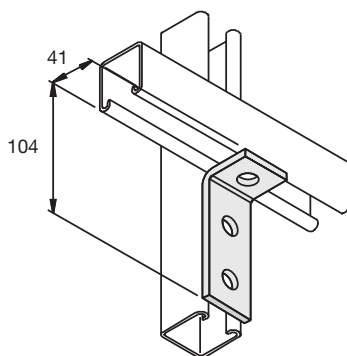
**1 x 2 Hole 90° Bracket**



Part No. PRO10

Material : Mild Steel/ Stainless Steel (SS)  
Finish : Hot Dipped Galv (HG)  
Holes : 14mm

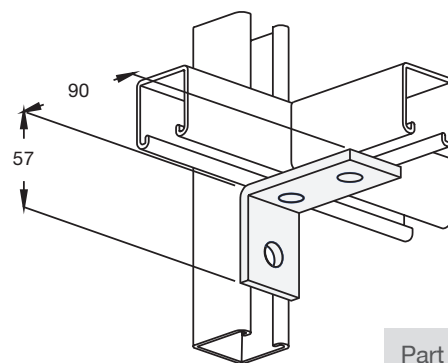
**1 x 2 Hole 90° Bracket**



Part No. PRO11

Material : Mild Steel/ Stainless Steel (SS)  
Finish : Hot Dipped Galv (HG)  
Holes : 14mm

**2 x 1 Hole 90° Bracket**

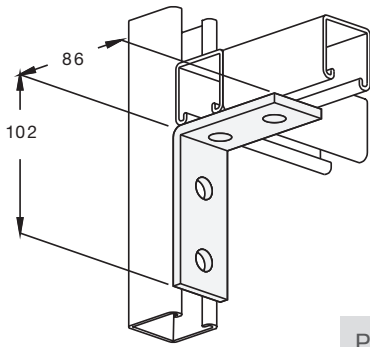


Part No. PRO12

Material : Mild Steel/ Stainless Steel (SS)  
Finish : Hot Dipped Galv (HG)  
Holes : 14mm

## Section 2: Channel Brackets continued

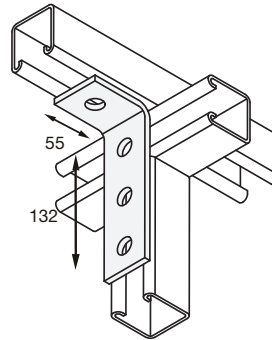
### 2 x 2 Hole 90° Bracket



Part No. PRO13

Material : Mild Steel/ Stainless Steel (SS)  
Finish : Hot Dipped Galv (HG)  
Holes : 14mm

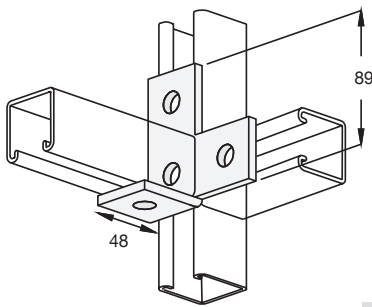
### 1 x 3 Hole 90° Bracket



Part No. PRO14

Material : Mild Steel/ Stainless Steel (SS)  
Finish : Hot Dipped Galv (HG)  
Holes : 14mm

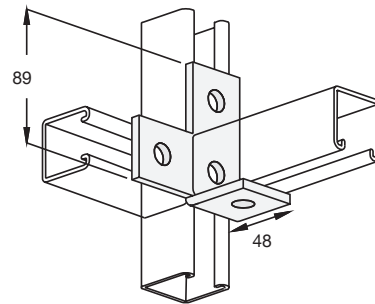
### 4 Hole 90° Angle 'T' Bracket (Left)



Part No. PRO15

Material : Mild Steel/ Stainless Steel (SS)  
Finish : Hot Dipped Galv (HG)  
Holes : 14mm

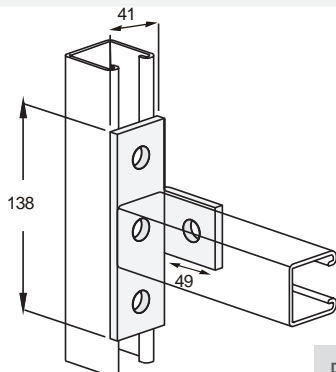
### 4 Hole 90° Angle 'T' Bracket (Right)



Part No. PRO16

Material : Mild Steel/ Stainless Steel (SS)  
Finish : Hot Dipped Galv (HG)  
Holes : 14mm

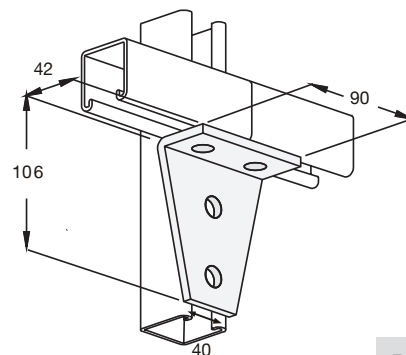
### 4 Hole 90° Angle 'T' Bracket Centre



Part No. PRO17

Material : Mild Steel/ Stainless Steel (SS)  
Finish : Hot Dipped Galv (HG)  
Holes : 14mm

### 2 x 2 Hole 90° Delta Bracket



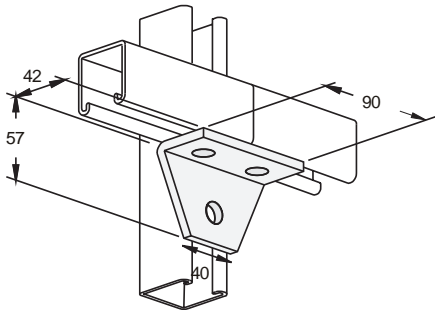
Part No. PRO18

Material : Mild Steel/ Stainless Steel (SS)  
Finish : Hot Dipped Galv (HG)  
Holes : 14mm



Section 2: Channel Brackets continued

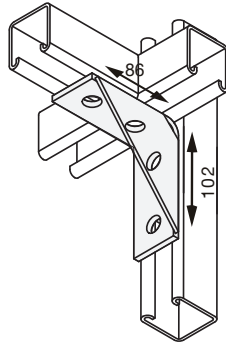
**2 x 1 Hole 90° Angle 'T' Bracket**



Part No. PRO19

Material : Mild Steel/ Stainless Steel (SS)  
Finish : Hot Dipped Galv (HG)  
Holes : 14mm

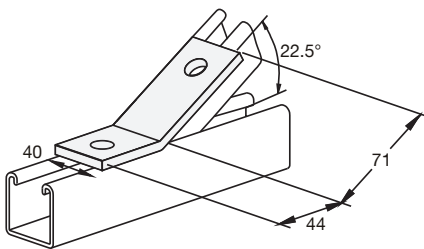
**4 Hole 90° Angle Welded Gusset Bracket**



Part No. PRO20

Material : Mild Steel/ Stainless Steel (SS)  
Finish : Hot Dipped Galv (HG)  
Holes : 14mm

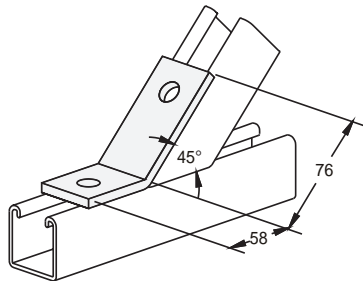
**2 Hole 22.5° Angle Bracket**



Part No. PRO21

Material : Mild Steel/ Stainless Steel (SS)  
Finish : Hot Dipped Galv (HG)  
Holes : 14mm

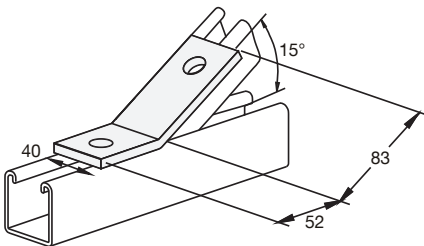
**2 Hole 45° Angle Bracket**



Part No. PRO22

Material : Mild Steel/ Stainless Steel (SS)  
Finish : Hot Dipped Galv (HG)  
Holes : 14mm

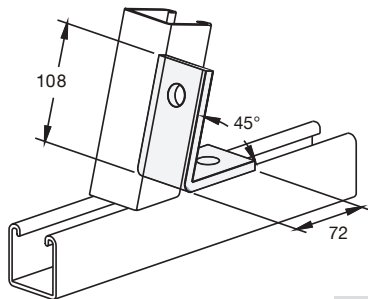
**2 Hole 15° Angle Bracket**



Part No. PRO23

Material : Mild Steel/ Stainless Steel (SS)  
Finish : Hot Dipped Galv (HG)  
Holes : 14mm

**2 Hole 45° Angle Acute Bracket**



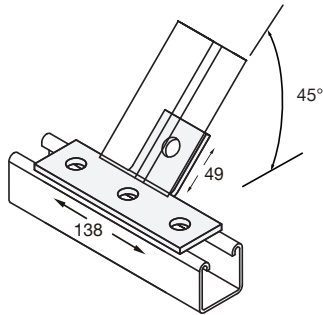
Part No. PRO24

Material : Mild Steel/ Stainless Steel (SS)  
Finish : Hot Dipped Galv (HG)  
Holes : 14mm

N.B. All materials, unless otherwise noted are 6mm thick Mild Steel. Hot Dipped Galv (HDG) after fabrication is standard.

## Section 2: Channel Brackets continued

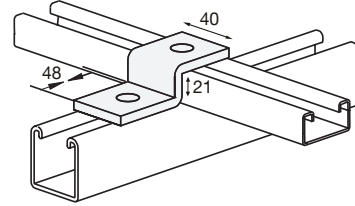
### 4 Hole 45° Angle 'T' Bracket



Part No. PRO25

Material : Mild Steel/ Stainless Steel (SS)  
Finish : Hot Dipped Galv (HG)  
Holes : 14mm

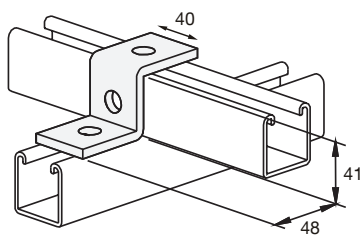
### 2 Hole Shallow 'Z' Bracket for 21mm Channel



Part No. PRO26

Material : Mild Steel/ Stainless Steel (SS)  
Finish : Hot Dipped Galv (HG)  
Holes : 14mm

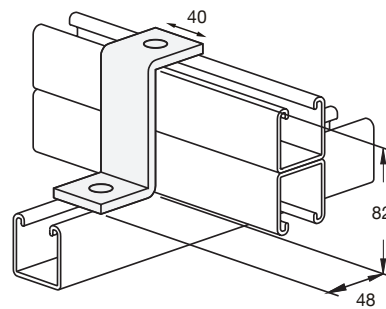
### 3 Hole Single 'Z' Bracket for 41mm Channel



Part No. PRO27

Material : Mild Steel/ Stainless Steel (SS)  
Finish : Hot Dipped Galv (HG)  
Holes : 14mm

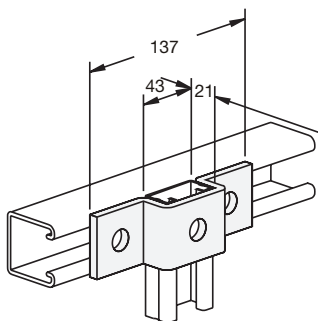
### 2 Hole Double 'Z' Bracket for 82mm Channel



Part No. PRO28

Material : Mild Steel/ Stainless Steel (SS)  
Finish : Hot Dipped Galv (HG)  
Holes : 14mm

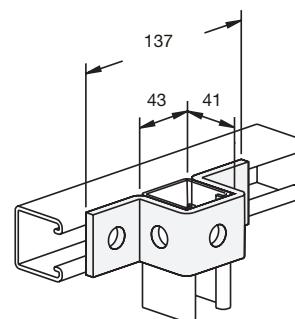
### 3 Hole Top Hat for 21mm Channel



Part No. PRO29

Material : Mild Steel/ Stainless Steel (SS)  
Finish : Hot Dipped Galv (HG)  
Holes : 14mm

### 5 Hole Top Hat for 41mm Channel

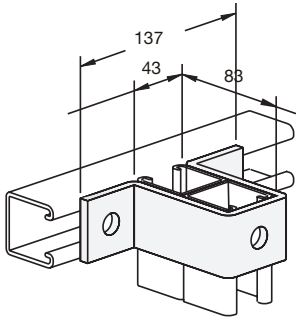


Part No. PRO30

Material : Mild Steel/ Stainless Steel (SS)  
Finish : Hot Dipped Galv (HG)  
Holes : 14mm

Section 2: Channel Brackets continued

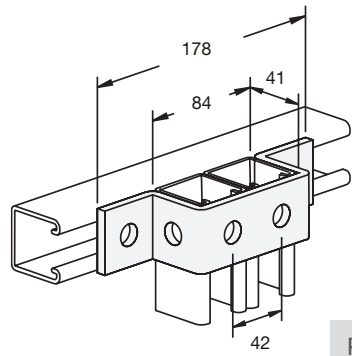
**3 Hole Top Hat for 82mm Channel**



Part No. PRO31

Material : Mild Steel/ Stainless Steel (SS)  
Finish : Hot Dipped Galv (HG)  
Holes : 14mm

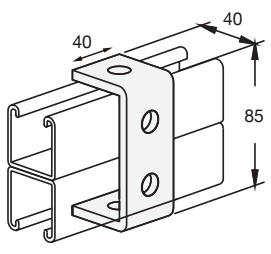
**6 Hole Double Wide Top Hat Bracket**



Part No. PRO32

Material : Mild Steel/ Stainless Steel (SS)  
Finish : Electro-Galvanized (PG) / Hot Dipped Galv (HG)  
Holes : 14mm

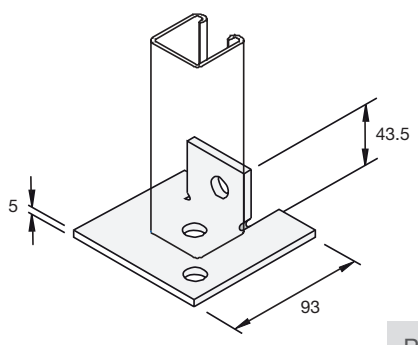
**4 Hole Double Channel 'C' Bracket**



Part No. PRO33

Material : Mild Steel/ Stainless Steel (SS)  
Finish : Hot Dipped Galv (HG)  
Holes : 14mm

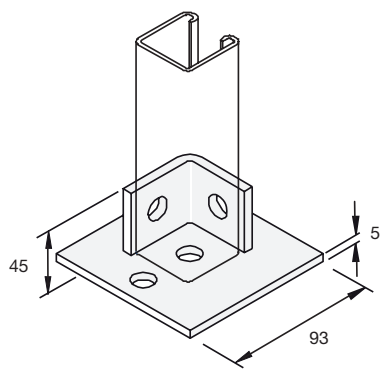
**Base Plate 100 x 100mm (Single Fix)**



Part No. PRO34

Material : Mild Steel/ Stainless Steel (SS)  
Finish : Hot Dipped Galv (HG)  
Holes : 14mm

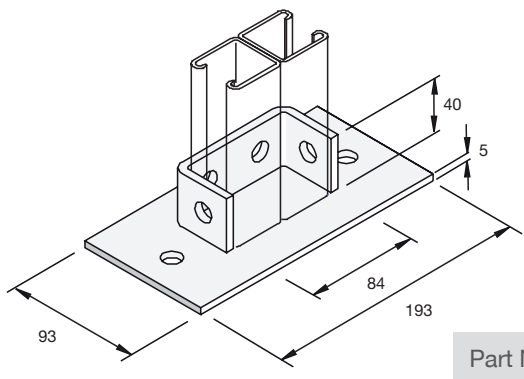
**Base Plate 100 x 100mm (Double Fix)**



Part No. PRO35

Material : Mild Steel/ Stainless Steel (SS)  
Finish : Hot Dipped Galv (HG)  
Holes : 14mm

**Base Plate 100 x 200mm for Double Channel**



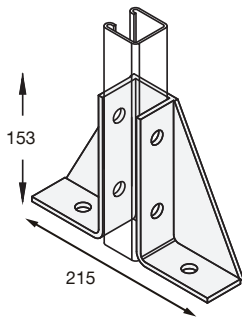
Part No. PRO36

Material : Mild Steel/ Stainless Steel (SS)  
Finish : Hot Dipped Galv (HG)  
Holes : 14mm

N.B. All materials, unless otherwise noted are 6mm thick Mild Steel. Hot Dipped Galv (HDG) after fabrication is standard.

## Section 2: Channel Brackets continued

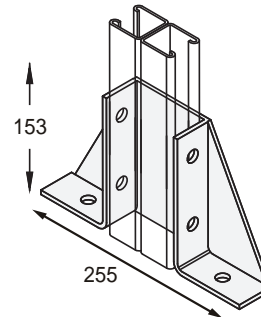
### Delta Base Plate for Single Channel



Part No. PRO37

Material : Mild Steel/ Stainless Steel (SS)  
Finish : Hot Dipped Galv (HG)  
Holes : 14mm

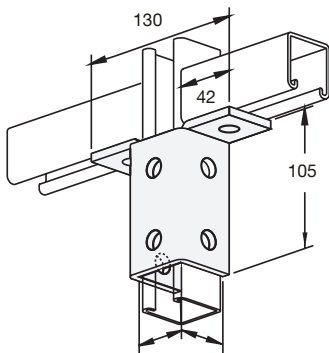
### Delta Base Plate for Double Channel



Part No. PRO38

Material : Mild Steel/ Stainless Steel (SS)  
Finish : Hot Dipped Galv (HG)  
Holes : 14mm

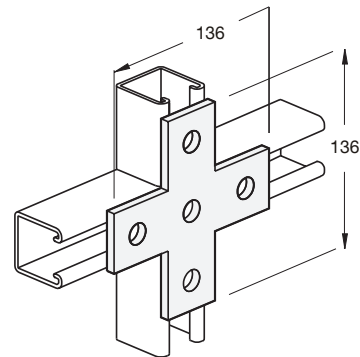
### 8 Hole 2 Lug Wing Bracket



Part No. PRO39

Material : Mild Steel/ Stainless Steel (SS)  
Finish : Hot Dipped Galv (HG)  
Holes : 14mm

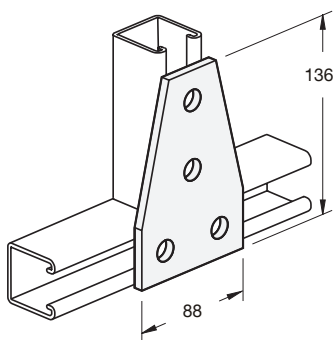
### 5 Hole Flat Cross Bracket



Part No. PRO54

Material : Mild Steel/ Stainless Steel (SS)  
Finish : Hot Dipped Galv (HG)  
Holes : 14mm

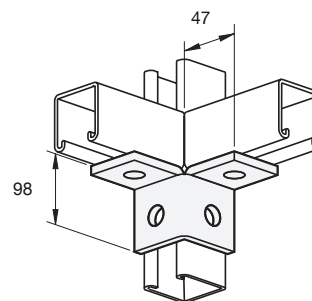
### 4 Hole Flat Gusset Bracket



Part No. PRO55

Material : Mild Steel/ Stainless Steel (SS)  
Finish : Hot Dipped Galv (HG)  
Holes : 14mm

### 4 Hole Right Angle Wing Bracket

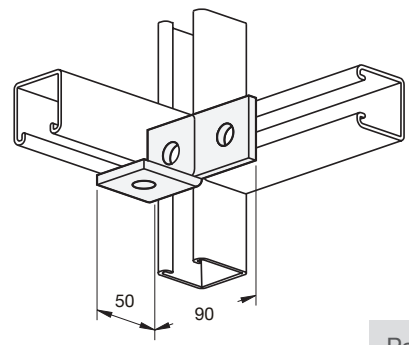


Part No. PRO64

Material : Mild Steel/ Stainless Steel (SS)  
Finish : Hot Dipped Galv (HG)  
Holes : 14mm

Section 2: Channel Brackets continued

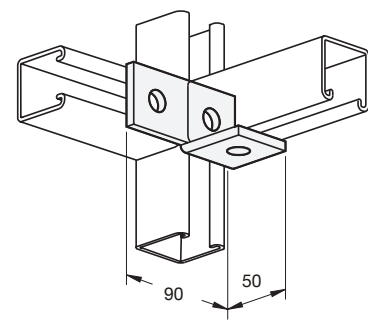
**3 Hole Right Angle Bend R/H**



Part No. PRO65

Material : Mild Steel/ Stainless Steel (SS)  
Finish : Hot Dipped Galv (HG)  
Holes : 14mm

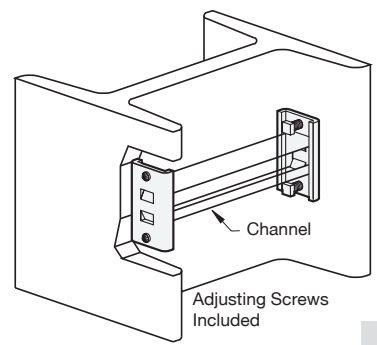
**3 Hole Right Angle Bend L/H**



Part No. PRO66

Material : Mild Steel/ Stainless Steel (SS)  
Finish : Hot Dipped Galv (HG)  
Holes : 14mm

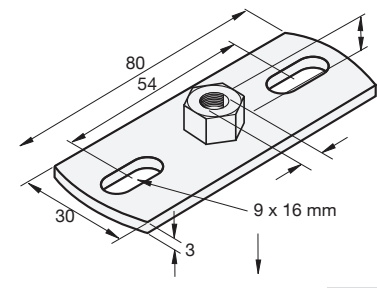
**Column Insert (pair)**



Part No. PRO69

Material : Mild Steel/ Stainless Steel (SS)  
Finish : Electro-Galvanized (PG) / Hot Dipped Galv (HDG)  
Holes : N/A

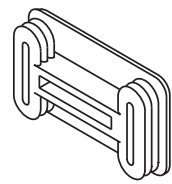
**Base Plate**



Part No. PROBP08/10

Material : Mild Steel/ Stainless Steel (SS)  
Finish : Electro-Galvanized (PG) / Hot Dipped Galv (HDG)  
Holes : As shown above

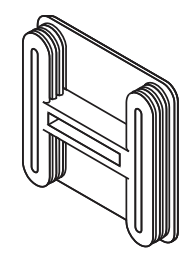
**PVC End Caps**



Part No. E/CAPWHT21 – E/CAPBLK21

Material : PVC  
Finish : Black or White  
Holes : No Holes

**PVC End Caps**



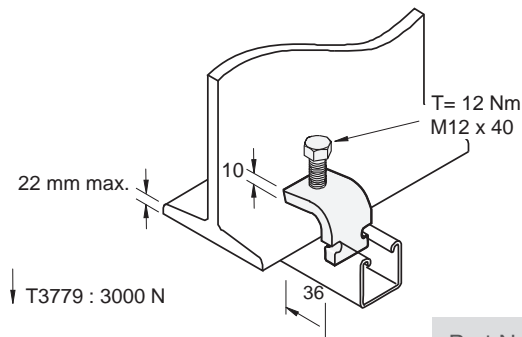
Part No. E/CAPWHT41 – E/CAPBLK41

Material : PVC  
Finish : Black or White  
Holes : No Holes

N.B. All materials, unless otherwise noted are 6mm thick Mild Steel. Hot Dipped Galv (HDG) after fabrication is standard.

# Section 3: Beam Clamps, Connectors & Cantilever Brackets

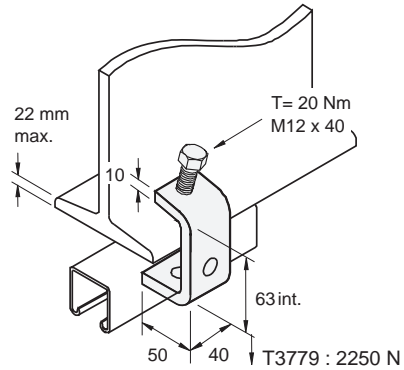
## Top Beam Clamp



Part No. PRO40

Material : Mild Steel/ Stainless Steel (SS)  
Finish : Hot Dipped Galv (HG)  
Holes : N/A

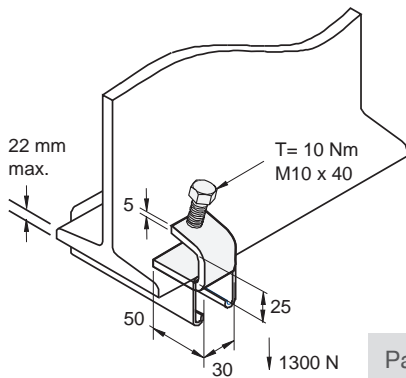
## 'C' Beam Clamp 40 x 10mm Tapped M12



Part No. PRO41

Material : Mild Steel/ Stainless Steel (SS)  
Finish : Hot Dipped Galv (HG)  
Holes : 14mm

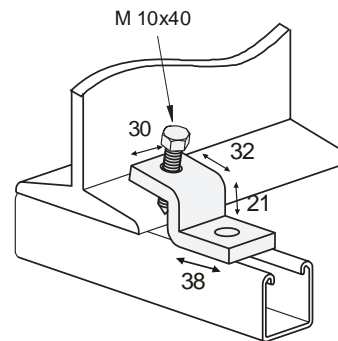
## 'C' Beam Clamp 30 x 5mm Tapped M10



Part No. PRO42

Material : Mild Steel/ Stainless Steel (SS)  
Finish : Hot Dipped Galv (HG)  
Holes : N/A

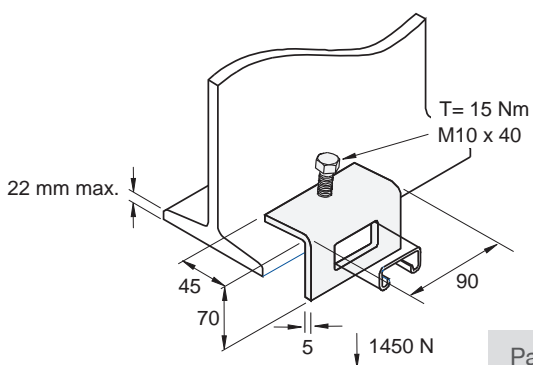
## 'Z' Type Beam Clamp Tapped M10



Part No. PRO43

Material : Mild Steel/ Stainless Steel (SS)  
Finish : Hot Dipped Galv (HG)  
Holes: 14mm

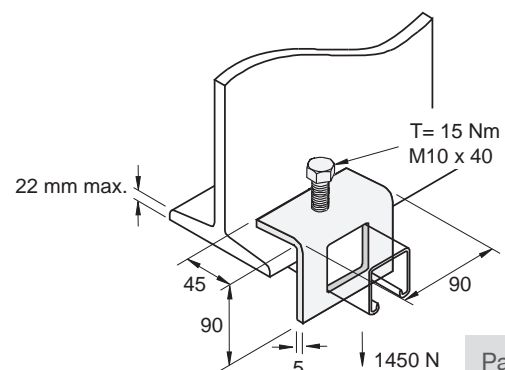
## Window Bracket for 21mm Channel



Part No. PRO47

Material : Mild Steel/ Stainless Steel (SS)  
Finish : Electro-Galvanized (PG) / Hot Dipped Galv (HDG)  
Holes : N/A

## Window Bracket for 41mm Channel

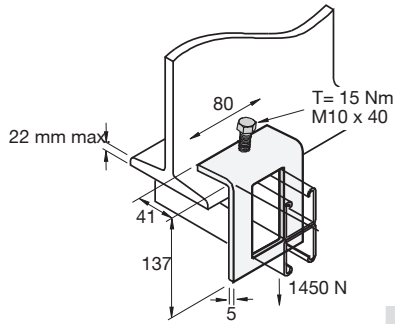


Part No. PRO44

Material : Mild Steel/ Stainless Steel (SS)  
Finish : Electro-Galvanized (PG) / Hot Dipped Galv (HDG)  
Holes : N/A

# Section 3: Beam Clamps, Connectors & Cantilever Brackets continued

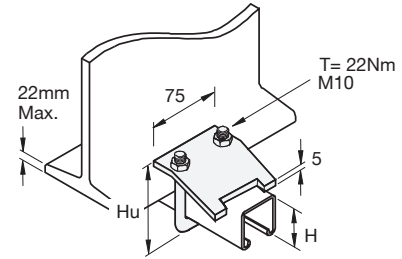
## Window Bracket for 82mm Channel



Part No. PRO48

Material : Mild Steel/ Stainless Steel (SS)  
Finish : Electro-Galvanized (PG) / Hot Dipped Galv (HDG)  
Holes : N/A

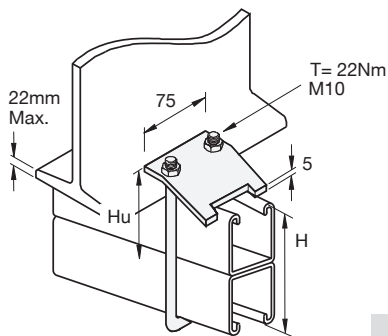
## Beam Clamp with 'U' Bolt M8 & M10



Part No. PRO45

Material : Mild Steel/ Stainless Steel (SS)  
Finish : Electro-Galvanized (PG) / Hot Dipped Galv (HDG)  
Holes : N/A

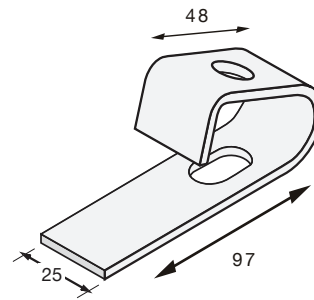
## Beam Clamp with 'U' Bolt M8 & M10



Part No. PRO46

Material : Mild Steel/ Stainless Steel (SS)  
Finish : Electro-Galvanized (PG) / Hot Dipped Galv (HDG)  
Holes : N/A

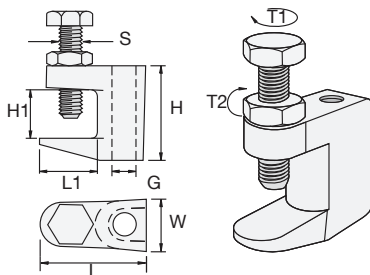
## Purlin Clip



Part No. PRO53

Material : Mild Steel/ Stainless Steel (SS)  
Finish : Electro-Galvanized (PG) / Hot Dipped Galv (HDG)  
Holes : As shown

## Malleable Iron Beam Clamp

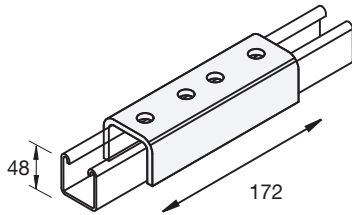


Part No. BCM6/8/10/12

Material : Malleable Iron  
Finish : Zinc Plated  
Holes : 6, 8, 10, 12mm

Part No.	BCM6	BCM8	BCM10	BCM12
Finish ZP	•	•	•	•
F Max kN	1.1	1.1	2.4	3.1
T1 Nm	8	8	8	8
T2 Nm	11	11	22	22
L mm	36	36	45	50
H mm	35	35	40	46
W mm	19	19	22	25
H1 mm	17	17	19	23
L1 mm	20	20	22	28
S mm	8	8	10	10
Packed	50	50	50	25

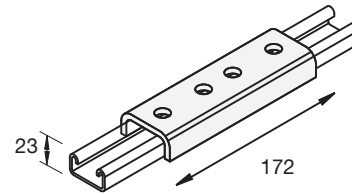
## External Connector for 41mm Channel



Part No. PRO49

Material : Mild Steel/ Stainless Steel (SS)  
Finish : Electro-Galvanized (PG) / Hot Dipped Galv (HDG)  
Holes : 14mm

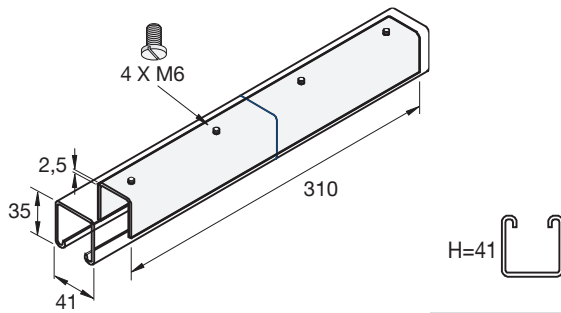
## External Connector for 21mm Channel



Part No. PRO50

Material : Mild Steel/ Stainless Steel (SS)  
Finish : Electro-Galvanized (PG) / Hot Dipped Galv (HDG)  
Holes : 14mm

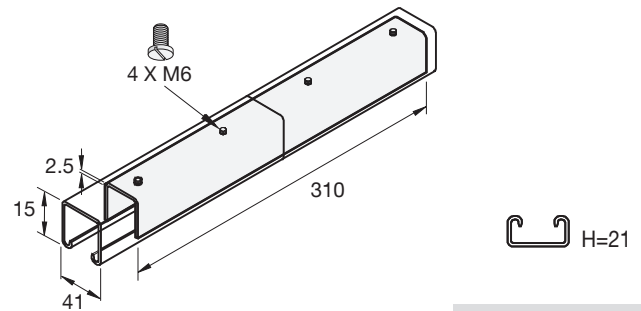
## Internal Connector for 41mm Channel



Part No. PRO51

Material : Mild Steel/ Stainless Steel (SS)  
Finish : Electro-Galvanized (PG) / Hot Dipped Galv (HDG)  
Holes : 6mm tapped thread

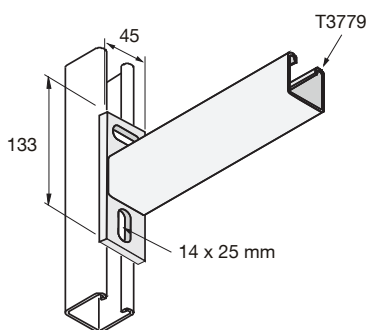
## Internal Connector for 21mm Channel



Part No. PRO52

Material : Mild Steel/ Stainless Steel (SS)  
Finish : Electro-Galvanized (PG) / Hot Dipped Galv (HDG)  
Holes : 6mm tapped thread

## Cantelever Arm

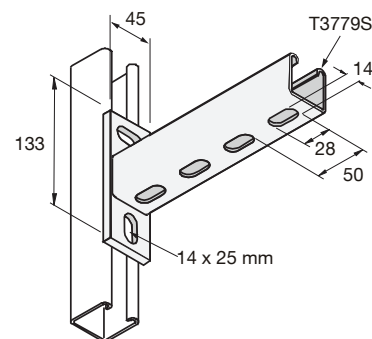


Sizes:  
150mm  
300mm  
450mm  
600mm  
750mm  
900mm

Part No. PRO63

Material : Mild Steel/ Stainless Steel (SS)  
Finish : Electro-Galvanized (PG) / Hot Dipped Galv (HDG)  
Holes : As shown

## Cantelever Arm/ Console (Euro Style)



Sizes:  
110mm 510mm  
160mm 660mm  
210mm 760mm  
310mm 910mm  
410mm 1010mm

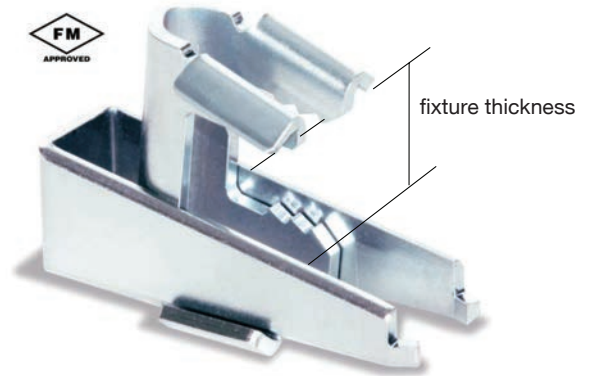
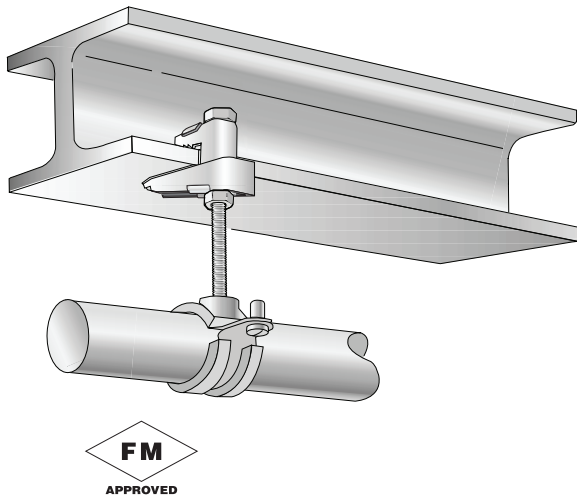
Part No. PRO73

Material : Mild Steel/ Stainless Steel (SS)  
Finish : Electro-Galvanized (PG) / Hot Dipped Galv (HDG)  
Holes : As shown

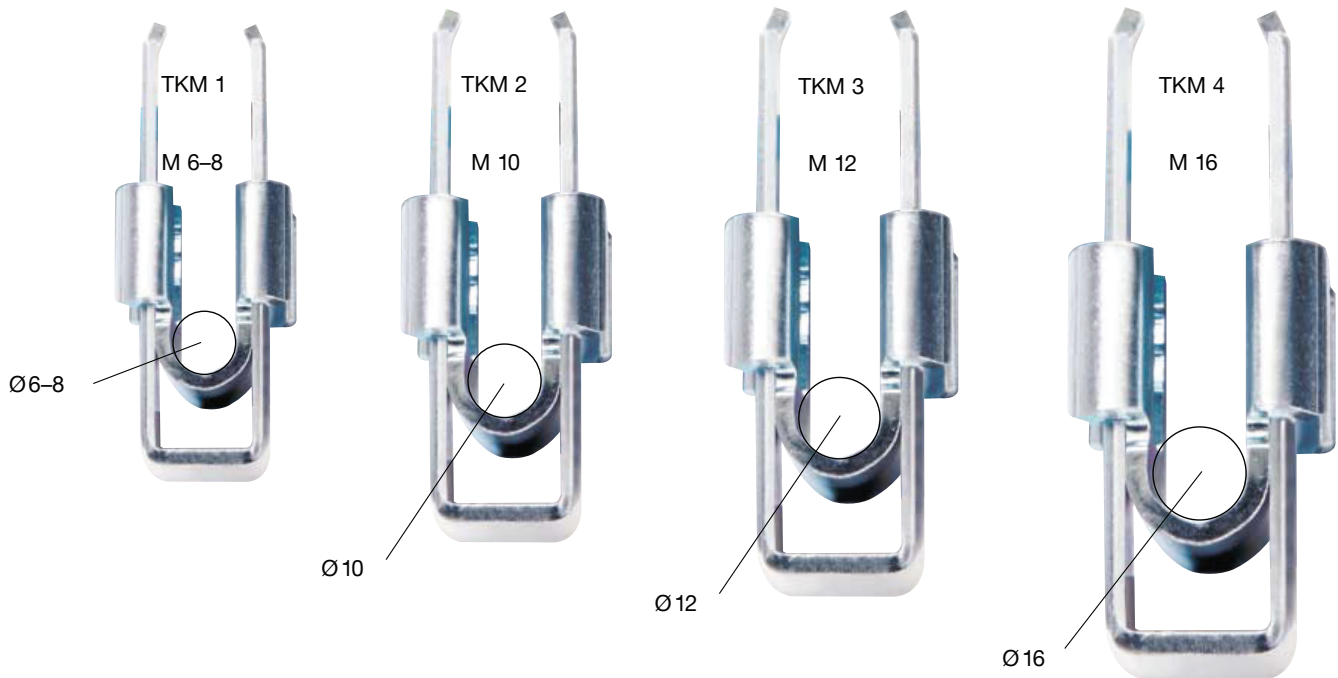


# Section 3: Beam Clamps, Connectors & Cantilever Brackets continued

## TKM Kroko

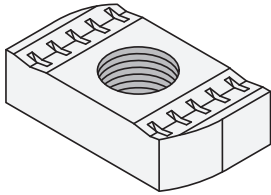


Order Number	Type Number	Fixture Thickness	Diameter	VdS approval	FM approval	Safe working load	Package
TKM 1	TKM Kroko 1	20 mm	20	•	–	2 kN	50 Stck/pcs
TKM 2	TKM Kroko 2	20mm	20	•	•	3,5 kN	50 Stck/pcs
TKM 3	TKM Kroko 3	20 mm	20	•	•	5 kN	50 Stck/pcs
TKM 4	TKM Kroko 4	26 mm	26	•	•	10 kN	25 Stck/pcs



## Section 4: Channel Nuts

### Channel Nut without Spring

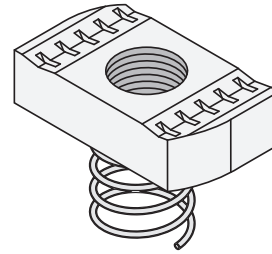


Note:  
Suffix Z for Zinc Plated (Std)  
Suffix G for Hot Dip Galv  
Suffix SS for Stainless Steel

Part No. PRO5606/08/10/12/16

Material : Mild Steel/ Stainless Steel (SS)  
Finish : Zinc Plated  
Sizes : M6, M8, M10, M12, M16

### Channel Nut with Short Spring

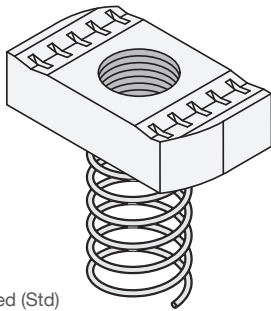


Note:  
Suffix Z for Zinc Plated (Std)  
Suffix G for Hot Dip Galv  
Suffix SS for Stainless Steel

Part No. PRO5806/08/10/12

Material : Mild Steel/ Stainless Steel (SS)  
Finish : Zinc Plated  
Sizes : M6, M8, M10, M12

### Channel Nut with Long Spring

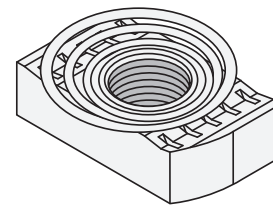


Note:  
Suffix Z for Zinc Plated (Std)  
Suffix G for Hot Dip Galv  
Suffix SS for Stainless Steel

Part No. PRO5706/08/10/12

Material : Mild Steel/ Stainless Steel (SS)  
Finish : Zinc Plated  
Sizes : M6, M8, M10, M12

### Channel Nut Top Spring

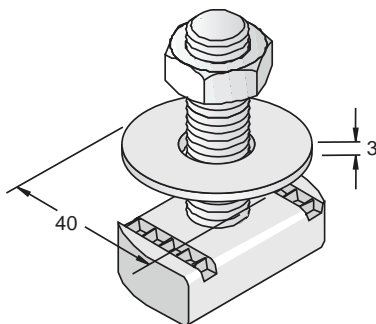


Note:  
Suffix Z for Zinc Plated (Std)  
Suffix G for Hot Dip Galv  
Suffix SS for Stainless Steel

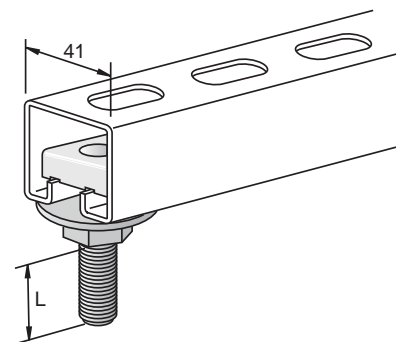
Part No. PRO5906/08/10/12

Material : Mild Steel/ Stainless Steel (SS)  
Finish : Zinc Plated  
Sizes : M6, M8, M10, M12

### Stud Nut



Material: Mild Steel/ Stainless Steel (SS)  
Finish: Zinc Plated  
Sizes: M8, M10 & M12 dia, Lengths: 30 – 100mm



Part No.	M8X30SN	M8X40SN	M10X30SN	M10X40SN	M12X40SN	M12X40SN
Length	15.5mm	25.5mm	13mm	23mm	11mm	21mm

Add Z to the codes shown above for Zinc Plated and SS for Stainless Steel.

## Section 5: Pipe Clamps

### BIS 2S Clamps with Lining (M8, M8/10)

For metal pipes  $\varnothing$  12 - 220 mm

Features and Benefits:

- Two-screw clamp
- Screws secured with anti-loss washer
- Also available with Triplo-nut
- Lining resistant to ageing

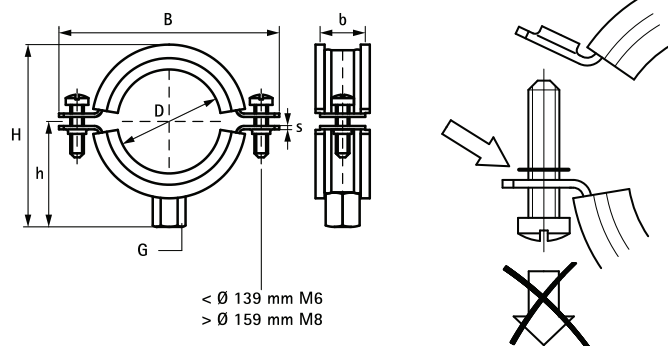
Material:

Steel, noise insulating lining to DIN 4109, EPDM rubber

Surface finish : Electro zinc plated. Steel Profile (B x S)



Part No.	D Inch	D mm	DN mm	B mm	H mm	h mm	b x s mm	Fa,z (N)	RAL	Pack 1
334 3 019	-	15-19	10	58	44	29	20 x 1,25	220	RAL <sup>1</sup>	50
334 3 023	1/2"	20-23	15	63	49	32	20 x 1,25	220	RAL <sup>1</sup>	50
334 3 030	3/4"	25-28	20	68	54	34	20 x 1,25	220	RAL <sup>1</sup>	50
334 3 038	1"	32-35	25	75	61	38	20 x 1,25	220	RAL <sup>1</sup>	50
334 3 043	1-1/4"	38-43	32	83	69	41	20 x 1,25	220	RAL <sup>1</sup>	50
334 3 049	1-1/2"	44-49	40	96	78	45	20 x 1,25	220	RAL <sup>1</sup>	50
334 3 056	-	50-56	-	97	84	49	20 x 1,50	220	RAL <sup>1</sup>	50
334 3 063	2"	57-63	50	102	88	51	20 x 1,50	220	RAL <sup>1</sup>	50
334 3 054	-	63-67	-	109	94	54	20 x 1,50	220	RAL <sup>1</sup>	50
334 3 071	-	70-73	-	117	104	59	20 x 1,50	220	RAL <sup>1</sup>	50
334 3 078	2-1/2"	74-80	65	122	108	61	20 x 1,50	220	RAL <sup>1</sup>	50
334 3 086	-	81-86	-	129	116	65	20 x 2,00	430	RAL <sup>1</sup>	50
334 3 092	3"	83-91	80	136	122	68	20 x 2,00	430	RAL <sup>1</sup>	50
334 3 106	-	101-106	-	152	135	74	23 x 2,00	750	RAL <sup>1</sup>	50
334 3 116	4"	108-114	100	157	144	79	23 x 2,00	750	RAL <sup>1</sup>	25
334 3 130	-	125-112	-	176	162	88	23 x 2,00	750	RAL <sup>1</sup>	25
334 3 135	-	131-135	-	178	165	90	23 x 2,00	750	RAL <sup>1</sup>	25
334 3 141	5"	136 -139	182	182	168	91	23 x 2,00	750	RAL <sup>1</sup>	25
334 3 168	6"	159 -168	150	232	202	107	25 x 3,00	1.220	RAL <sup>1</sup>	15
334 3 200	-	193 -200	-	268	238	125	25 x 3,00	1.220	RAL <sup>1</sup>	15
334 3 212	6"	210 -212	-	275	243	128	25 x 3,00	1.220	RAL <sup>1</sup>	15
334 3 220	8"	216 -220	200	283	251	132	25 x 3,00	1.220	RAL <sup>1</sup>	15



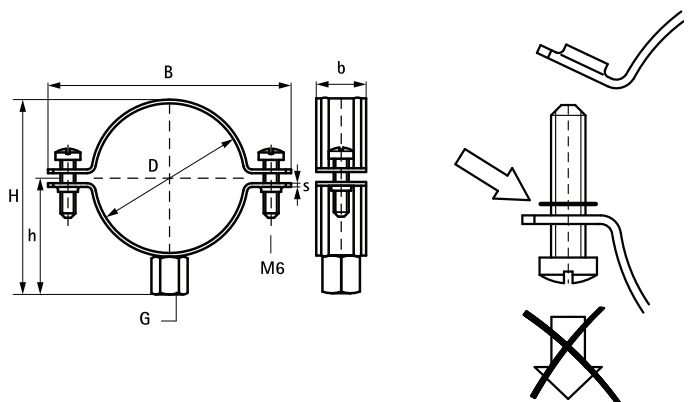
## BIS 2S Clamps (M8/10)

### Features & Benefits:

- Two-screw clamp
- Material: steel
- Screws secured with anti-loss washer
- Zinc plated



Part No.	D Inch	D mm	DN mm	B mm	H mm	h mm	b x s mm	Fa,z (N)	RAL	Pack 1
330 3 017	-	15-17	10	51	34	25	20 x 1,25	1.110	RAL <sup>1</sup>	50
330 3 022	1/2"	18-22	15	55	40	27	20 x 1,25	1.110	RAL <sup>1</sup>	50
330 3 030	3/4"	26-30	20	63	48	32	20 x 1,25	1.110	RAL <sup>1</sup>	50
330 3 034	1"	32-34	25	68	52	34	20 x 1,25	1.110	RAL <sup>1</sup>	50
330 3 042	-	38-41	-	75	60	38	20 x 1,25	1.110	RAL <sup>1</sup>	50
330 3 045	1-1/4"	41-45	32	79	63	36	20 x 1,25	1.240	RAL <sup>1</sup>	50
330 3 051	1-1/2"	47-51	40	83	68	41	20 x 1,25	1.240	RAL <sup>1</sup>	50
330 3 060	-	54-60	-	92	76	46	20 x 1,50	1.240	RAL <sup>1</sup>	50
330 3 064	2"	58-62	50	99	82	49	20 x 2,00	1.240	RAL <sup>1</sup>	50
330 3 068	-	62-68	-	102	87	51	20 x 2,00	1.240	RAL <sup>1</sup>	50
330 3 076	2-1/2"	75-76	65	109	94	55	20 x 2,00	1.470	RAL <sup>1</sup>	50
330 3 085	-	79-85	-	117	102	59	23 x 1,50	1.470	RAL <sup>1</sup>	50
330 3 089	3"	85-89	80	123	108	62	23 x 1,50	1.470	RAL <sup>1</sup>	50
330 3 094	-	90-94	-	129	113	64	23 x 1,50	1.470	RAL <sup>1</sup>	50
330 3 105	-	100-105	-	138	123	69	23 x 1,50	1.470	RAL <sup>1</sup>	50
330 3 111	-	106-111	-	144	128	72	23 x 1,50	1.800	RAL <sup>1</sup>	25
330 3 118	4"	110-118	100	153	138	77	23 x 2,00	1.800	RAL <sup>1</sup>	25
330 3 144	5"	139 -144	125	178	163	89	23 x 2,00	1.800	RAL <sup>1</sup>	25
330 3 169	6"	164 -169	150	203	188	101	23 x 2,00	1.800	RAL <sup>1</sup>	25



# Section 5: Pipe Clamps continued

## BIS Duplo Double Clamps with Lining

### Features and benefits

- Fillet weld boss (M 8/10 & M 10/12)
- EPDM Rubber Lining according to DIN 4109

### Surface finish :

Electro zinc plated. Steel Profile (B x S)

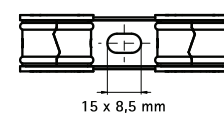
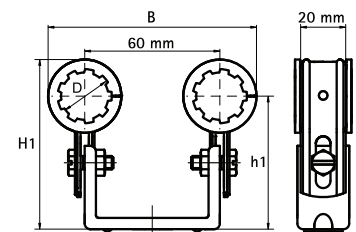
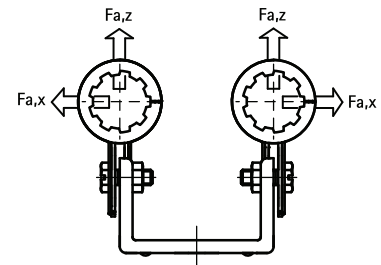
### Application:

For Pipe diameter from 12 to 315 mm

Fire rating according to DIN 4102



Part No.	D Inch	D mm	DN mm	B mm	H1 mm	h1 mm	Fa,z (N)	Fa,x (N)	Colour	Pack 1
321 5 015	-	15	-	82	58 - 74	46 - 64	100	200	Black, EDPM	25
321 5 017	3/8"	18	10	85	61 - 67	51 - 67	100	200	Black, EDPM	25
321 5 021	1/2"	22	15	89	65 - 81	51 - 67	110	330	Black, EDPM	25
321 5 027	3/4"	28	20	95	71 - 87	54 - 70	110	330	Black, EDPM	25
321 5 033	1"	33	25	104	76 - 92	57 - 73	110	330	Black, EDPM	25
321 5 043	1-1/4"	42	32	155	100 - 117	65 - 82	100	330	Black, EDPM	25



Section 5: Pipe Clamps continued

**VARIO - Twin pipe clamps, Galvanised**

Field of Application:

- Parallel pipes, support for risers or suspended pipes
- Visually subtle as the fastener is on the inside
- Pipelines in residential and industrial constructions

Advantages:

- Twin clip has fastening advantages of the safety clip
- Safety fastener without screws
- Distance between pipes is adjustable, markings facilitate
- Accommodates different pipe diameters on one clip
- Efficient support for two pipes with one anchor plug
- High quality DAMMGULAST® vibration control lining

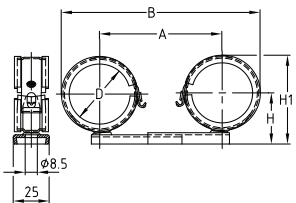
**MÜPRO**



Suitable for:	Inch	mm	Part No.	Sales Unit	Pack Unit	H1	H	B	Adjustment range A
Copper pipes	-	10	MU107299	100	Pieces	30	21	23+A	40 - 80
	-	12	MU107300			32	22		
	-	15	MU107301			35	24	28+A	
	-	18	MU107302			38	25	31+A	
	-	20	MU107303			40	26		
	-	22	MU107304			42	27	35+A	
	-	24	MU107305			44	28	37+A	
	-	28	MU107306	48		30	42+A	50 - 95	
	-	30	MU107309	50		31	46+A		
	-	33	MU107310	53		33			
	-	35	MU107311	55		34	56+A		
	-	42	MU107312	62		37			
	-	43	MU107313	63		38	60 - 105		
Steel Pipes	3/8"	-	MU107308	100	38	25	31+A	40 - 80	
	1/2"	-	MU107298		42	27	35+A		
	3/4"	-	MU107307		47	30	41+A	50 - 95	
	1"	-	MU107295	54	33	46+A			
	1-1/4"	-	MU107297	63	38	56+A	60 - 105		
	1-1/2"	-	MU107296	69	41	63+A			

N.B.

The mounting distance of the pipe from the structure element is determined by the selection of the appropriate bolt screw length. The distance can be adjusted by means of the nut and lockout. The fitting of the VARIO-Twin bracket by means of anchors enables the distance from the structure to be continuously adjusted while maintaining flexural rigidity.



## Pipe Clamp

Size : 9.5mm thru 168mm

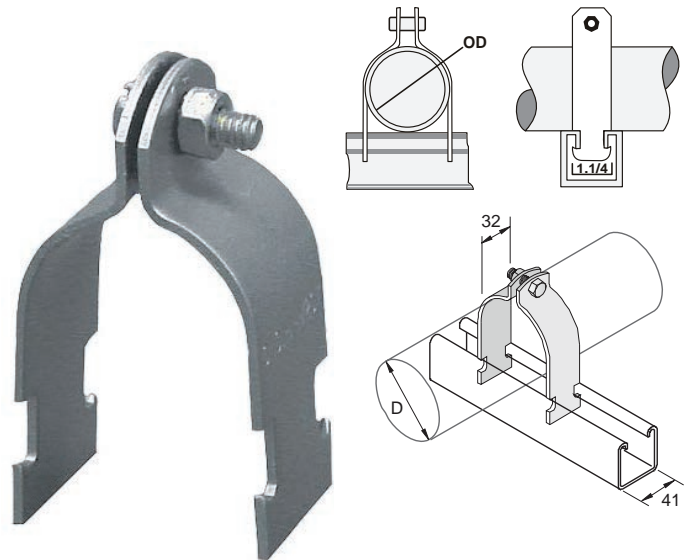
Finish : Electro-Zinc Plated

Function : Support & Tighten Pipe

Application:

For Pipe diameter from 9mm to 174mm

Fire rating according to DIN 4102



Part No.	Finish	Size	NB	D mm	Weight	Box Qty
PROSC08	PG	9.5mm		8.7 - 10.3	0.03	100
PROSC09	PG	11mm		10.3 - 12.7	0.03	100
PROSC10	PG	12.5mm		11.9 - 13.5	0.03	100
PROSC11	PG	14mm		13.5 - 14.3	0.03	100
PROSC12	PG	15mm		14.3 - 16.7	0.04	100
PROSC13	PG	17mm	3/8"	15.9 - 18.3	0.04	100
PROSC14	PG	19mm		18.3 - 20.6	0.04	100
PROSC15	PG	20mm	1/2"	19.0 - 21.4	0.04	100
PROSC16	PG	23mm		21.4 - 25.4	0.04	100
PROSC17	PG	26.5mm	3/4"	25.4 - 27.8	0.05	100
PROSC18	PG	28.5mm		27.0 - 30.2	0.05	100
PROSC19	PG	32mm		30.2 - 33.8	0.05	100
PROSC20	PG	34mm	1"	31.8 - 35.9	0.05	100
PROSC21	PG	37mm		34.9 - 39.7	0.06	100
PROSC22	PG	41mm	1 1/4"	39.7 - 42.9	0.06	100
PROSC23	PG	44mm		42.9 - 46.8	0.06	100
PROSC24	PG	48mm	1 1/2"	46.8 - 50.8	0.12	50
PROSC25	PG	50mm		48.4 - 52.4	0.12	50
PROSC26	PG	54mm		52.4 - 58.7	0.12	50
PROSC27	PG	61mm	2"	58.7 - 63.5	0.14	50
PROSC28	PG	66mm		63.5 - 68.3	0.14	50
PROSC29	PG	70mm		68.3 - 73.0	0.15	50
PROSC30	PG	76mm	2 1/2"	73.0 - 79.4	0.16	50
PROSC31	PG	79mm		76.2 - 82.6	0.17	50
PROSC32	PG	85mm		82.6 - 88.1	0.17	50
PROSC33	PG	90mm	3"	88.1 - 95.2	0.18	50
PROSC34	PG	97mm		95.2 - 100.0	0.2	25
PROSC35	PG	102mm		100.0 - 106.4	0.2	25
PROSC36	PG	109mm		106.4 - 111.1	0.22	25
PROSC37	PG	115mm	4"	111.1 - 120.7	0.23	25
PROSC38	PG	125mm		120.7 - 129.4	0.24	25
PROSC39	PG	133mm		129.4 - 138.1	0.26	25
PROSC40	PG	142mm	5"	138.1 - 149.2	0.27	25
PROSC41	PG	155mm		149.2 - 161.9	0.29	25
PROSC42	PG	168mm	6"	161.9 - 174.6	0.31	25

## Section 6: Additional Items

Approved Anchors



Drop-In Anchors



Fasteners



U Bolts



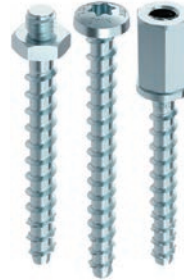
Board Fixings



Threaded Rod/ Studs



Concrete Screws



Frame Fixings



SDS Bits



HSS Bits



Holesaws



Plugs



Galvo Band



Wood Screws



Cutting & Grinding



Hand Tools



Washers



Nuts



Sealants/ Silicones




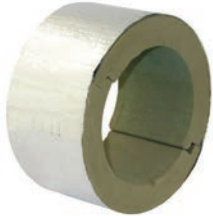


















Gun/ Hand Foam





Section 6: Additional Items continued

<p><b>Rapidrail</b></p>	<p><b>Binder Points</b></p>	<p><b>Timber Studbolts</b></p>	<p><b>Phenolic Blocks</b></p>
			
<p><b>Framing Systems</b></p>	<p><b>Britclips</b></p>	<p><b>Big Foot Systems</b></p>	<p><b>Sprinkler Clamps</b></p>
			
<p><b>Sliding Devices</b></p>	<p><b>Ducting Clamps</b></p>	<p><b>BIS Starquick</b></p>	<p><b>Split Band Clamps</b></p>
			
<p><b>Saddle Clamps</b></p>	<p><b>Doby Grip</b></p>	<p><b>Fire Protection</b></p>	<p><b>Cast Iron Clamps</b></p>
			
<p><b>Speednut</b></p>	<p><b>Consoles</b></p>	<p><b>Anti Noise Clamps</b></p>	<p><b>Fixing Points</b></p>
			





Profast Ltd. Unit 11, Western Industrial Estate, Naas Road, Dublin 12.  
w: [www.profast.ie](http://www.profast.ie) e: [info@profast.ie](mailto:info@profast.ie) t: +353 (0)1 4566 666

Profast (NI) Limited, 26-30 Rydalmere St, Belfast, County Antrim BT12 6GF  
w: [www.profast.co.uk](http://www.profast.co.uk) e: [sales@profast.co.uk](mailto:sales@profast.co.uk) t: +44 (0)28 9024 3215

Profast (UK) Limited, Unit B1, Sovereign Business Park, Hawkins Lane, Burton on Trent, DE14 1PD  
w: [www.profastukltd.com](http://www.profastukltd.com) e: [sales@profastukltd.com](mailto:sales@profastukltd.com) t: +44 (0)1283 529 142